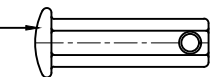


REVISIONS				
NO.	DATE	DESCRIPTION	BY	CHKD

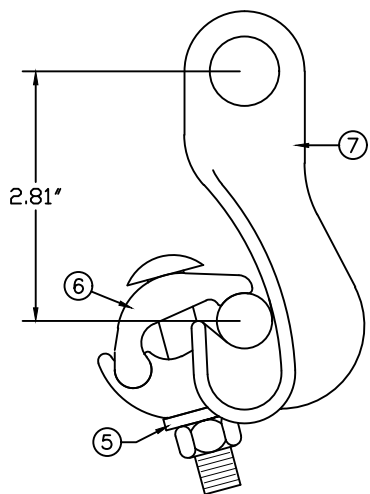
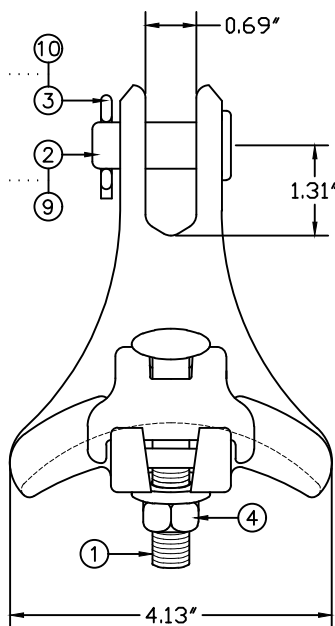
ITEM NO.	PART NO.	CAT. NO.	DESCRIPTION	QUANTITY			
				A	B	C	D
1	P55848	H-0123-04	1/2"x3" GR5 CARRIAGE BOLT	1	1	1	
2	P56093	H-0315-02	5/8"φ x 7/8" CLEVIS PIN	1	-	-	
3	P56109	H-0360-01	COTTER PIN HMP 5/8"	1	1	-	
4	P56137	H-0400-04	1/2"-13 HEX NUT FIN	1	1	1	
5	P56294	H-0500-04	1/2" FLATWASHER	1	1	1	
6	P59078	*RALS-1K	ALS-1 & RALS-1 KEEPER	1	1	1	
7	P59142	P-0531	RALS-1 BODY CST	1	1	1	
8	P61654	H-0320-03	5/8"φ x 2-1/8" HEX CLEVIS PIN	-	1	-	
9	P56094	H-0315-03	5/8"φ x 2-1/16" CLEVIS PIN	-	-	1	
10	P61134	M-111-3	LONG OTTER PIN 5/8"	-	-	1	

HEX PIN REPLACES CLEVIS
PIN IN RALS-1-N-HP ⑧



ITEM NO. DEPENDANT
(SEE CHART)

ASSEMBLY NUMBER	REF. NO.
RALS-1-N	A
RALS-1-N-HP	B
RALS-1-N-LKP	C
	D



NOTES:

1. MATERIAL - BODY & KEEPER:
ALUMINUM ALLOY A356-T6

HARDWARE:
STEEL, HOT DIP GALVANIZED PER
ASTM-A153

COTTER PIN:
STAINLESS STEEL

2. ULTIMATE STRENGTH: 10,000 LBS.

3. CLAMPING RANGE - 0.23" TO 0.86"



MACLEAN POWER SYSTEMS
A Maclean-fogg Company

ANGLE SUSPENSION CLAMP
RALS-1-N, RALS-1-N-HP, RALS-1-N-LKP

This information is confidential and is the property of Maclean Power Systems. It may not be made public or reproduced except that the Customer may make copies for use solely in installation, maintenance, and operation of products supplied by Maclean Power Systems.

DATE: 12/28/2011	SCALE: NONE	NO.	BC8597-1	R / 0	SH 1
DWN. BY: CDR	CHK. BY:	APR. BY:			