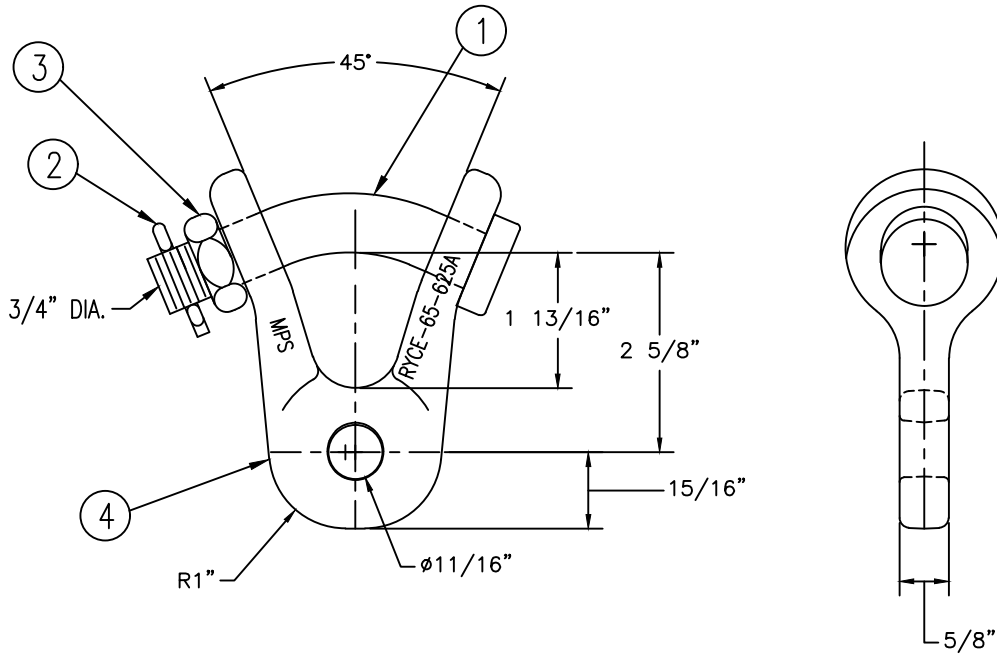


This information is confidential and is the property of Maclean Power Systems. It may not be made public or reproduced except that the Customer may make copies for use solely in installation, maintenance, and operation of products supplied by Maclean Power Systems.

NO. BC8734-2C



ITEM NO.	PART NO.	CAT. NO.	DESCRIPTION	QTY
1	P55833	H-0100-01	3/4" BENT BOLT	1
2	P56110	H-0360-02	COTTER PN HMP 3/4"	1
3	P56158	H-0402-06	NUT HX JAM 3/4"	1
4	P57434C	>RYCE-65-625ABC	RYCE-65-625A GALV	1

- NOTES: 1. MATERIAL:
- A. BODY - DUCTILE IRON, HOT DIP GALVANIZED PER ASTM A153
 - B. COTTER PIN - AISI 302 STAINLESS STEEL
 - C. HARDWARE - STEEL, HOT DIP GALVANIZED
2. ULTIMATE STRENGTH: 30,000 LBS.
 3. ASSEMBLY PART NO: P57434D, M-0939-01-ASSY.
 4. WEIGHT: 2.305 LBS.

NO.	DATE	DESCRIPTION	BY	CKD

REVISIONS



MACLEAN POWER SYSTEMS
A Maclean-fogg Company

90° Y-CLEVIS EYE
CATALOG NO: RYCE-65-625A

DATE: 08-02-13	SCALE:	NO. BC8734-2C	R/0	SH.1 OF 1
BY: LMV	BY: BS	BY: WCL		