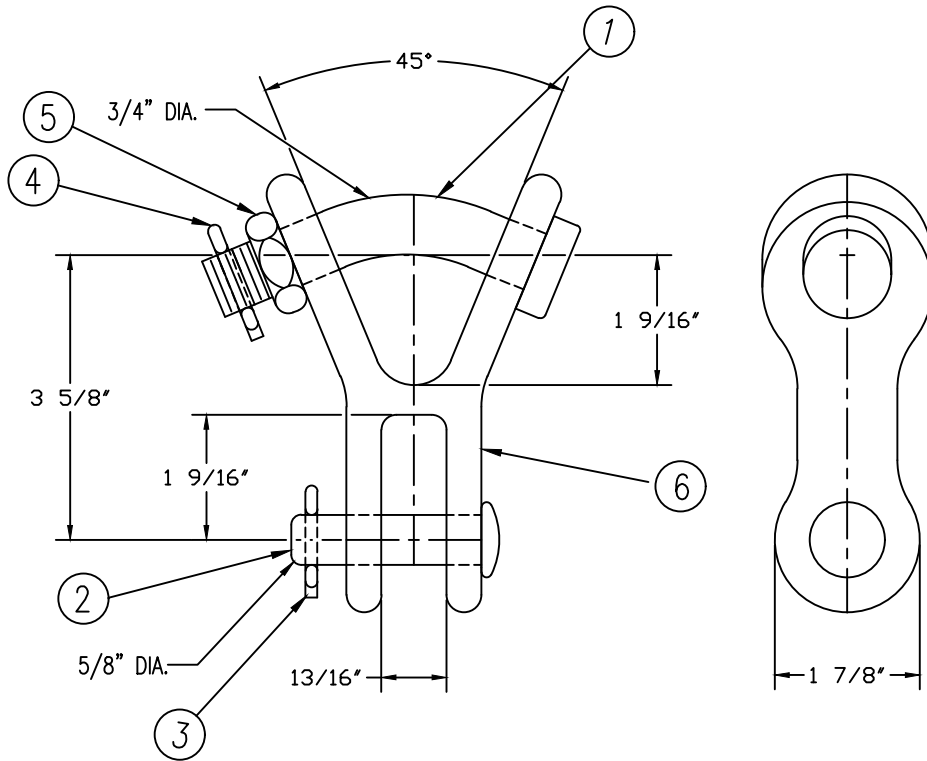


This information is confidential and is the property of Maclean Power Systems. It may not be made public or reproduced except that the Customer may make copies for use solely in installation, maintenance, and operation of products supplied by Maclean Power Systems.

NO. BC8735C



| ITEM NO. | PART NO. | CAT. NO. | DESCRIPTION | QTY |
|----------|----------|-----------|---------------------|-----|
| 1 | P55833 | H-0100-01 | 3/4" BENT BOLT | 2 |
| 2 | P56057 | H-0300-02 | CL PIN 5/8" | 2 |
| 3 | P56109 | H-0360-01 | COTTER PIN HMP 5/8" | 1 |
| 4 | P56110 | H-0360-02 | COTTER PIN HMP 3/4" | 1 |
| 5 | P56158 | H-0402-06 | NUT HX JAM 3/4" | 2 |
| 6 | P57451C | >YCC-65BC | YCC-65-GALV | 1 |

- NOTES: 1. MATERIAL:
- A. BODY - DUCTILE IRON, HOT DIP GALVANIZED PER ASTM A153
 - B. COTTER PIN - AISI 302 STAINLESS STEEL
 - C. HARDWARE - STEEL, HOT DIP GALVANIZED
2. ULTIMATE STRENGTH: 30,000 LBS.
 3. ASSEMBLY PART NO.: P57451D, M-0965-01-ASSY
 4. WEIGHT: 2.810 LBS.

| NO. | DATE | DESCRIPTION | BY | CKD |
|-----|------|-------------|----|-----|
| | | | | |
| | | | | |
| | | | | |

REVISIONS



MACLEAN POWER SYSTEMS
 A Maclean-fogg Company

Y-CLEVIS CLEVIS
 CATALOG NO: YCC-65

| | | | | |
|----------------|---------|-------------|-----|-----------|
| DATE: 06/18/13 | SCALE: | NO. BC8735C | R/0 | SH.1 OF 1 |
| DWN. LMV | CKD. BS | APR. WCL | | |