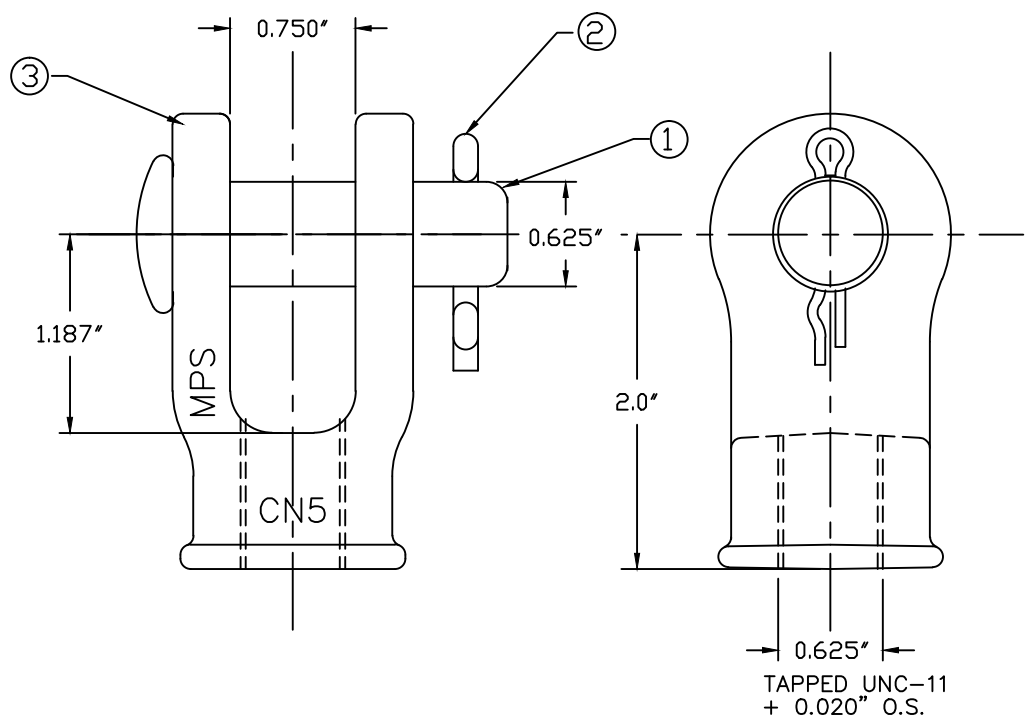


This information is confidential and is the property of Maclean Power Systems. It may not be made public or reproduced except that the Customer may make copies for use solely in installation, maintenance, and operation of products supplied by Maclean Power Systems.

NO. BC-8737



ITEM NO.	PART NO.	CAT. NO.		QTY
1	P56094	H-0315-03	5/8"Ø CLEVIS PIN	1
2	P61134	M-111-3	COTTER PIN LONG	1
3	P64479C	>CN-5C	CN-5 BODY GALV.	1

NOTES:

- 1.0 BODY - DUCTILE IRON, HOT DIP GALVANIZED PER ASTM A153.
CLEVIS PIN - STEEL, HOT DIP GALVANIZED.
COTTER KEY - AISI 302 STAINLESS STEEL.
- 2.0 ULTIMATE STRENGTH - 13,550 LBS..
- 3.0 ALL DIMENSION IN INCHES.

NO.	DATE	DESCRIPTION	BY	CHKD



CLEVIS NUT
CATALOG NUMBER: CN-5

REVISIONS		DATE: 5/05/13	SCALE: NONE	NO. BC-8737	R/0	SH.1 OF 1
BY: LMV	CHKD: WCL	BY: WCL	BY: WCL			