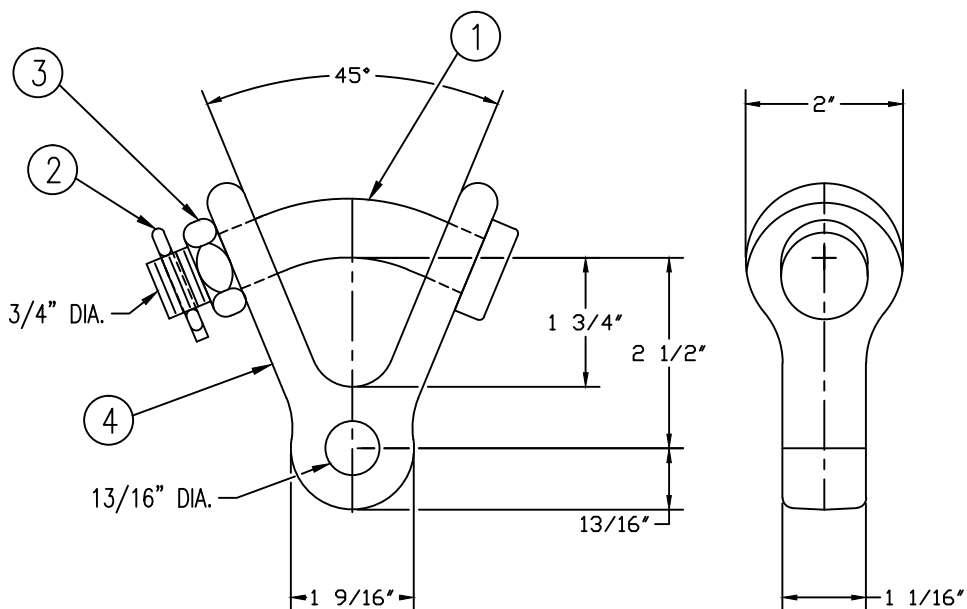


This information is confidential and is the property of Maclean Power Systems. It may not be made public or reproduced except that the Customer may make copies for use solely in instillation, maintenance, and operation of products supplied by Maclean Power Systems.

NO. BC-8758-1

ITEM NO.	PART NO.	CAT. NO.	DESCRIPTION	QTY
1	P55833	H-0100-01	3/4" BENT BOLT	1
2	P56110	H-0360-02	COTTER PN HMP 3/4"	1
3	P56158	H-0402-06	NUT HX JAM 3/4"	1
4	P56806	M-0202-02	RYCE-66-1062 GALV	1



NOTES:

1. MATERIAL:
 - A. BODY - DUCTILE IRON
 - B. COTTER PIN - AISI 302 STAINLESS STEEL
 - C. HARDWARE - STEEL, HOT DIP GALVANIZED
2. FINISH: HOT DIP GALVANIZED PER ASTM A153
3. ULTIMATE STRENGTH: 25,000 LBS.
4. WEIGHT: 2.100 LBS.

NO.	DATE	DESCRIPTION	BY	CHKD



RYCE Y-CLEVIS EYE 90°
 CATALOG NO: RYCE 66-1062

DATE: 3/26/12		SCALE: NONE	NO.	R	SH.1
BY: KH	CHKD: WCL	APR: WCL	BC-8758-1	0	OF 1

REVISIONS