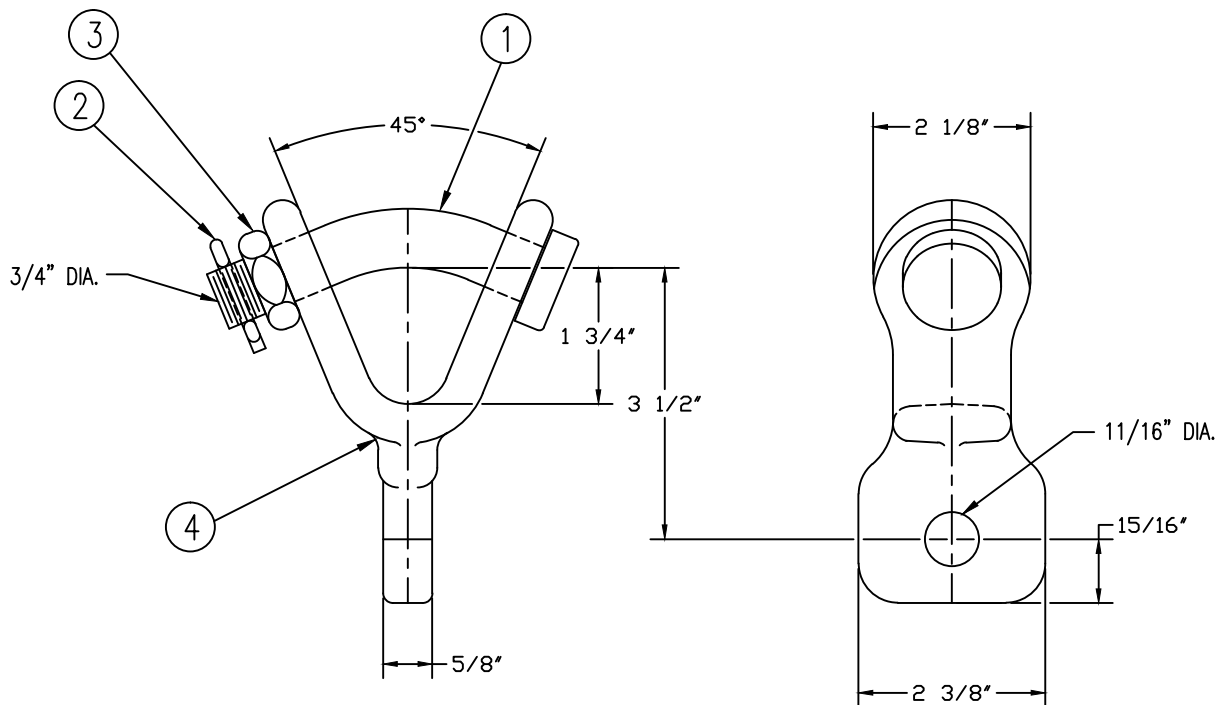


This information is confidential and is the property of Maclean Power Systems. It may not be made public or reproduced except that the Customer may make copies for use solely in installation, maintenance, and operation of products supplied by Maclean Power Systems.

NO. BC-8761-1

ITEM NO.	PART NO.	CAT. NO.	DESCRIPTION	QTY
1	P55833	H-0100-01	3/4" BENT BOLT	1
2	P56110	H-0360-02	COTTER PN HMP 3/4"	1
3	P56158	H-0402-06	NUT HX JAM 3/4"	1
4	P57432	M-0935-01	YCE 65-625A GALV	1



NOTES:

1. MATERIAL:
 - A. BODY - DUCTILE IRON
 - B. COTTER PIN - AISI 302 STAINLESS STEEL
 - C. HARDWARE - STEEL, HOT DIP GALVANIZED
2. FINISH: HOT DIP GALVANIZED PER ASTM A153
3. ULTIMATE STRENGTH: 30,000 LBS.
4. WEIGHT: 2.671 LBS.

NO.	DATE	DESCRIPTION	BY	CHKD



YCE Y-CLEVIS EYE
 CATALOG NO: YCE 65-625A

REVISIONS		DATE: 3/28/12	SCALE: NONE	NO.	R / 0	SH.1 / OF 1
BY: KH	BY: WCL	BY: WCL	BC-8761-1			