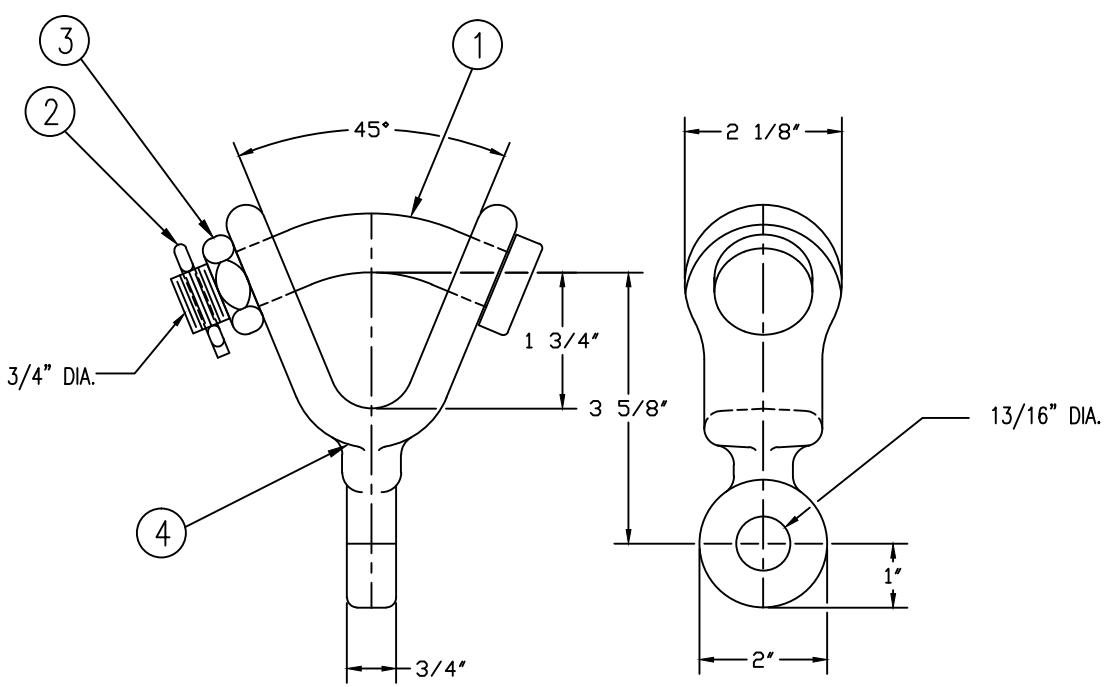


NO. BC-8763-1

ITEM NO.	PART NO.	CAT. NO.	DESCRIPTION	QTY
1	P55833	H-0100-01	3/4" BENT BOLT	1
2	P56110	H-0360-02	COTTER PN HMP 3/4"	1
3	P56158	H-0402-06	NUT HX JAM 3/4"	1
4	P57912	M-6775-01	YCE 66-750 GALV	1



NOTES:

1. MATERIAL:
 - A. BODY - DUCTILE IRON
 - B. COTTER PIN - AISI 302 STAINLESS STEEL
 - C. HARDWARE - STEEL, HOT DIP GALVANIZED
2. FINISH: HOT DIP GALVANIZED PER ASTM A153
3. ULTIMATE STRENGTH: 30,000 LBS.
4. WEIGHT: 2.369 LBS.

This information is confidential and is the property of Maclean Power Systems. It may not be made public or reproduced except that the Customer may make copies for use solely in installation, maintenance, and operation of products supplied by Maclean Power Systems.

NO.	DATE	DESCRIPTION	BY	CKD



YCE Y-CLEVIS EYE
 CATALOG NO: YCE 66-750

DATE: 3/28/12		SCALE: NONE	NO.	R	SH.1
BY: KH	BY: WCL	BY: WCL	BC-8763-1	0	OF 1

REVISIONS