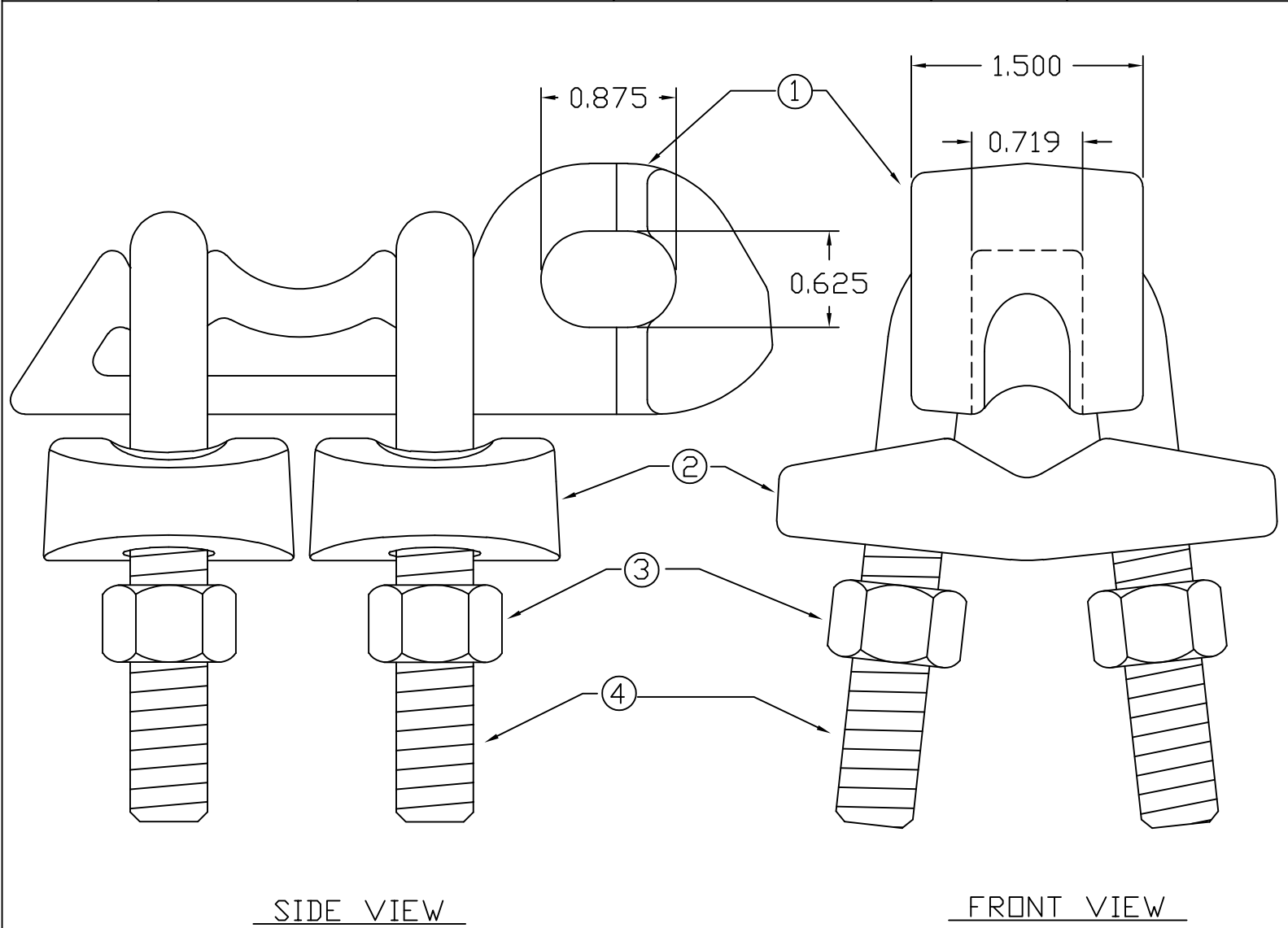


ITEM #	PART #	CATALOG #	DESCRIPTION	QTY	DWG
1	P64424	>AE-155-B	AE-155 BODY	1	PB-849
2	P64426	>AE-155A-C	AE-155A CAP	2	PB-1096
3	P56137	H-0400-04	1/2" HEX NUT	4	HA-400
4	P64055	M-378-01	1/2" V-BOLT	2	MA-378



SIDE VIEW

FRONT VIEW

**PROPRIETARY**  
 This information is confidential and is the property of Continental Electric Company, a Corporation. It is for the use of customers only and may not be made public, distributed or loaned to others, or any part reproduced without the written consent of Continental Electric Co. except that the customer may make copies for use solely in the installation, maintenance, and operation of products supplied by Continental Electric Company.

**MACLEAN POWER SYSTEMS**  
 BIRMINGHAM, ALABAMA A MacLean Power Systems Co.

**CATALOG NUMBER: AE-155A**  
**AUXILIARY ANCHOR EYE**  
**FOR 3/4"-1" ANCHOR ROD**

NO.	DATE	DESCRIPTION	BY
2	8/03/22	ADDED DIMENSIONS	KK
1	9/26/05	REDRAWN IN CAD	MW

DATE: 9/26/05	SCALE: NONE	NO. CEA-1010	R/2	SH.1
BY: MW	CHKD. BY:	APR. BY:		OF 1