

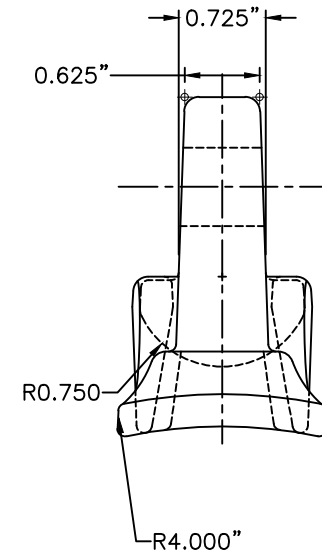
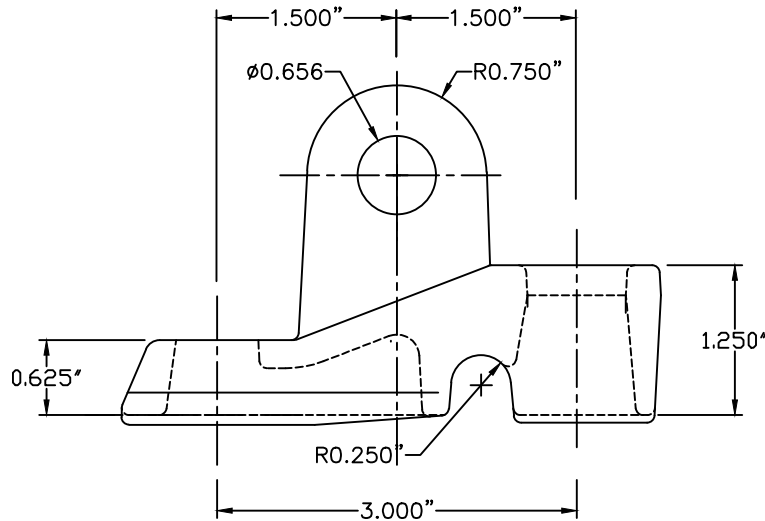
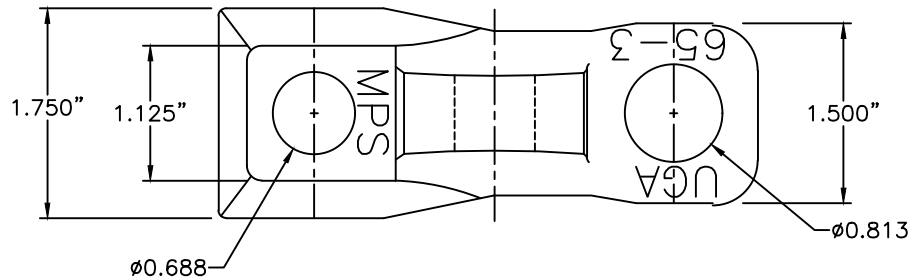
REVISIONS


NO.	DATE	DESCRIPTION	BY	CKD
1	6/28/21	ADDED BOM TABLE	EDB	

ITEM NO.	PART NO.	CAT. NO.	DESCRIPTION	DWG. NO.
1	P64750C	UGA-65-3C	GUY ATTACHMENT	PB2070

NOTES:

- 1.0 MATERIAL-DUCTILE IRON PER ASTM A-536,
- 2.0 COATING-HOT DIP GALVANIZE PER ASTM A-153.
- 3.0 PART NO. - UGA-65-3, (F416380)
- 4.0 EST. WEIGHT - 1.50 LBS.
- 5.0 DIMENSION IN INCHES.



 MacLean Power Systems BIRMINGHAM, ALABAMA		
DRAWN BY: CBH	APPROVED BY: WCL	SCALE: 1"=1"
CHECKED BY:		
CAT. NO.: UGA-65-3 UNIVERSAL GUY ATTACHMENT RATED STRENGTH 13,550 LBS		
DATE: 01/30/09	DRAWING NO: CEA-1028	R/1

This information is confidential and is the property of Maclean Power Systems. It may not be made public or reproduced except that the Customer may make copies for use solely in installation, maintenance, and operation of products supplied by Maclean Power Systems.

ENG. REF.