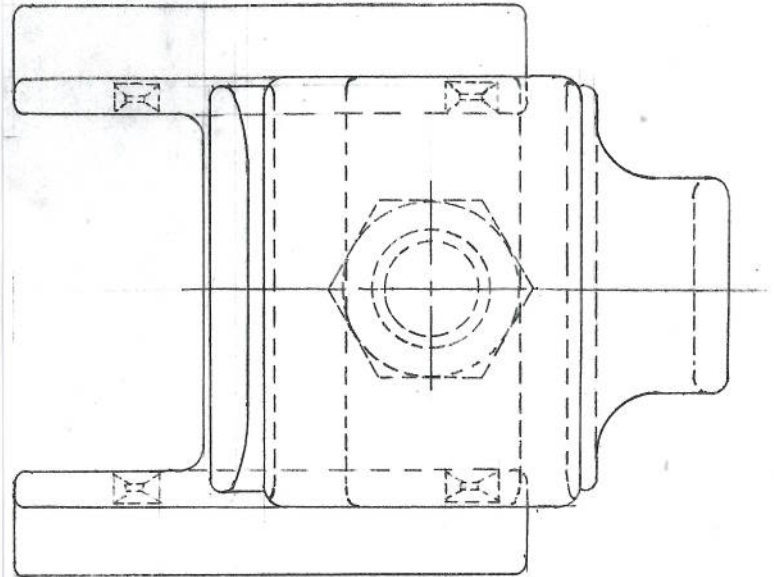


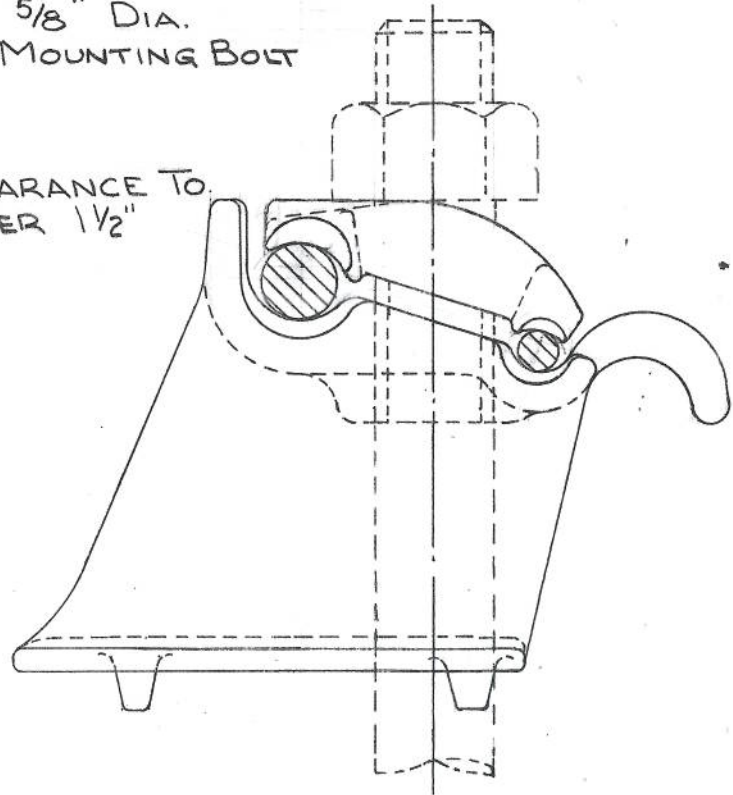
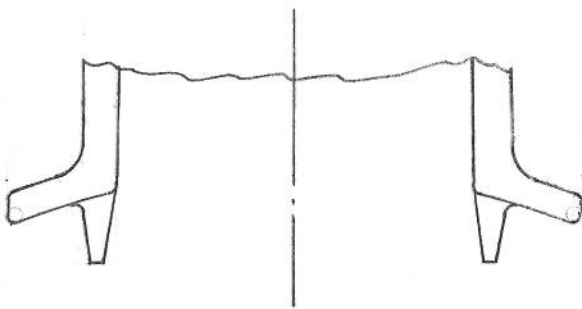
NOTES:

1. MATERIAL - BODY AND KEEPER: DUCTILE IRON.
HOT DIP GALV. PER ASTM-A153
2. CLAMPING RANGE - SB32, 0.162" - 0.375".
SB42, 0.25" - 0.56".
3. GROUND WIRE - #6 - 1/4".



5/8" DIA.
MOUNTING BOLT

POLE CLEARANCE TO
MESSENGER 1 1/2"



This information is confidential and is the property of Maclean Power Systems. It may not be made public or reproduced except that the Customer may make copies for use solely in installation, maintenance, and operation of products supplied by Maclean Power Systems.



MACLEAN POWER SYSTEMS
A Maclean-fogg Company

MESSENGER CABLE CLAMP
CATALOG NUMBER: SB32/42

NO.	DATE	DESCRIPTION	BY	CKD
1	8/20/71	ADDED SB-32	LB	

REVISIONS

DATE: 9/12/66	SCALE: NONE	NO. CEA-1032	R/1	SH.1
DWN. BY: BA	CKD. BY:	APR. BY:		OF 1