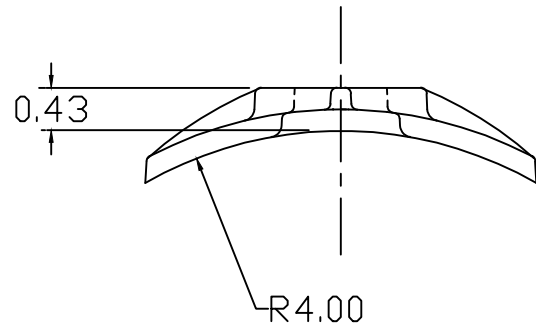
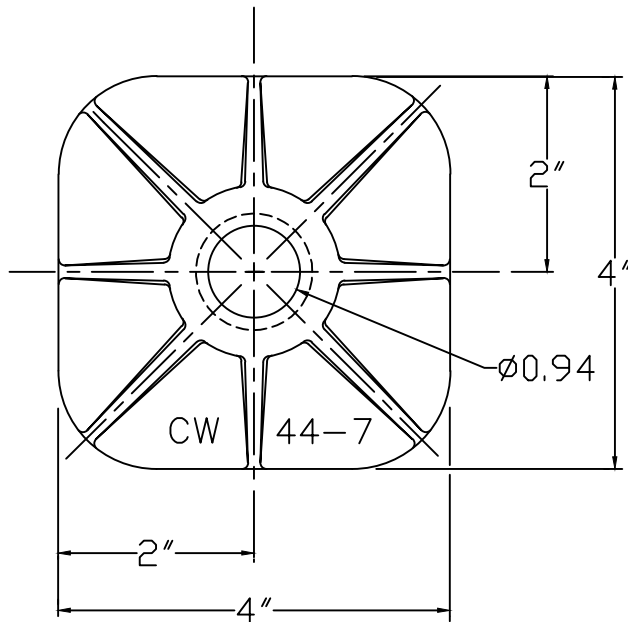


This information is confidential and is the property of Maclean Power Systems. It may not be made public or reproduced except that the Customer may make copies for use solely in installation, maintenance, and operation of products supplied by Maclean Power Systems.

NO. CEA-1069-4

ITEM NO.	PART NO.	CAT. NO.	DESCRIPTION	DWG. NO.
1	P64509C	CW-44-7-BC	CURVED POLE WASHER	PB2067C



NOTES:

MATERIAL-DUCTILE IRON, ASTM A536

FINISH: HOT DIP GALVANIZED PER ASTM A-153.

CAT. NO. CW-44-7.



MACLEAN POWER SYSTEMS
A Maclean-fogg Company

CURVE WASHER-SQUARE
CAT. NO. CW-44-7

NO.	DATE	DESCRIPTION	BY	CHKD
2	06/28/21	ADDED BOM TABLE	EDB	
1	09/19/14	Redrawn. Was CEA1069R2.	WCL	WCL
REVISIONS				

DATE: 6/15/67	SCALE:	NO. CEA-1069-4	R/2	SH.1 OF 1
DWN. BY: BA	CKD. BY: CHM	APR. BY: WCL		