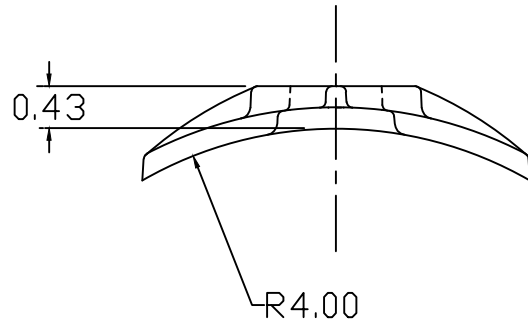
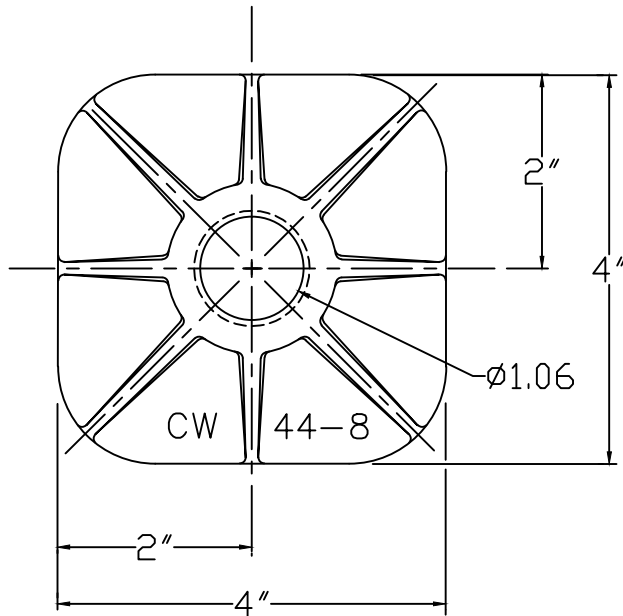


This information is confidential and is the property of Maclean Power Systems. It may not be made public or reproduced except that the Customer may make copies for use solely in installation, maintenance, and operation of products supplied by Maclean Power Systems.

NO. CEA-1069-5



NOTES:

MATERIAL—DUCTILE IRON, ASTM A536

FINISH: HOT DIP GALVANIZED PER ASTM A-153.

CAT. NO. CW-44-8.

NO.	DATE	DESCRIPTION	BY	CHKD
1	11/02/15	Redrawn. Was CEA1069R2.	WCL	WCL
REVISIONS				



**MACLEAN POWER SYSTEMS**  
A Maclean-fogg Company

CURVE WASHER—SQUARE  
CAT. NO. CW-44-8

DATE: 6/15/67	SCALE:	NO. CEA-1069-5	R/1	SH.1 OF 1
BY: BA	CHKD: CHM	APP: WCL		