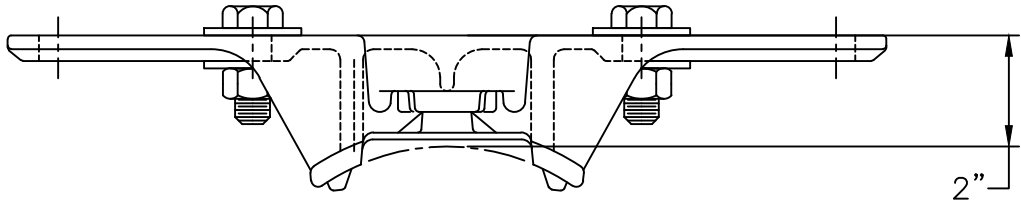
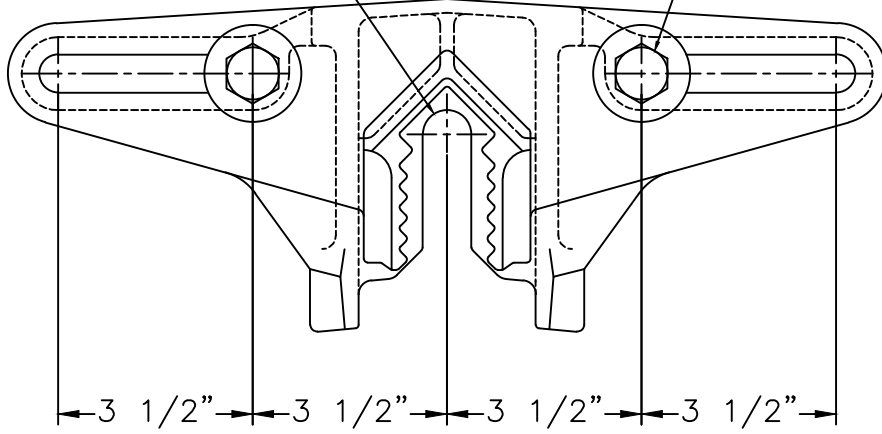


This information is confidential and is the property of Maclean Power Systems. It may not be made public or reproduced except that the Customer may make copies for use solely in installation, maintenance, and operation of products supplied by Maclean Power Systems.

NO. CEA1097-1


FOR 3/4" DIA. BOLTS.

5/8" DIA. BOLTS



MATERIAL: DUCTILE IRON  
 FINISH: HOT DIP GALVANIZED PER ASTM A153  
 WEIGHT: 8.77 LBS.

NO.	DATE	DESCRIPTION	BY	CHKD
1	7/3/12	REDRAWN IN CAD	DB	
REVISIONS				



**MACLEAN POWER SYSTEMS**  
 A Maclean-fogg Company

TRANSFORMER MOUNTING PLATE

CATALOG NO. TB-4

DATE: 12-6-67	SCALE:	NO. CEA1097-1	R/1	SH.1
DWN. BY: AB	CHKD. BY:	APR. BY:		OF 1