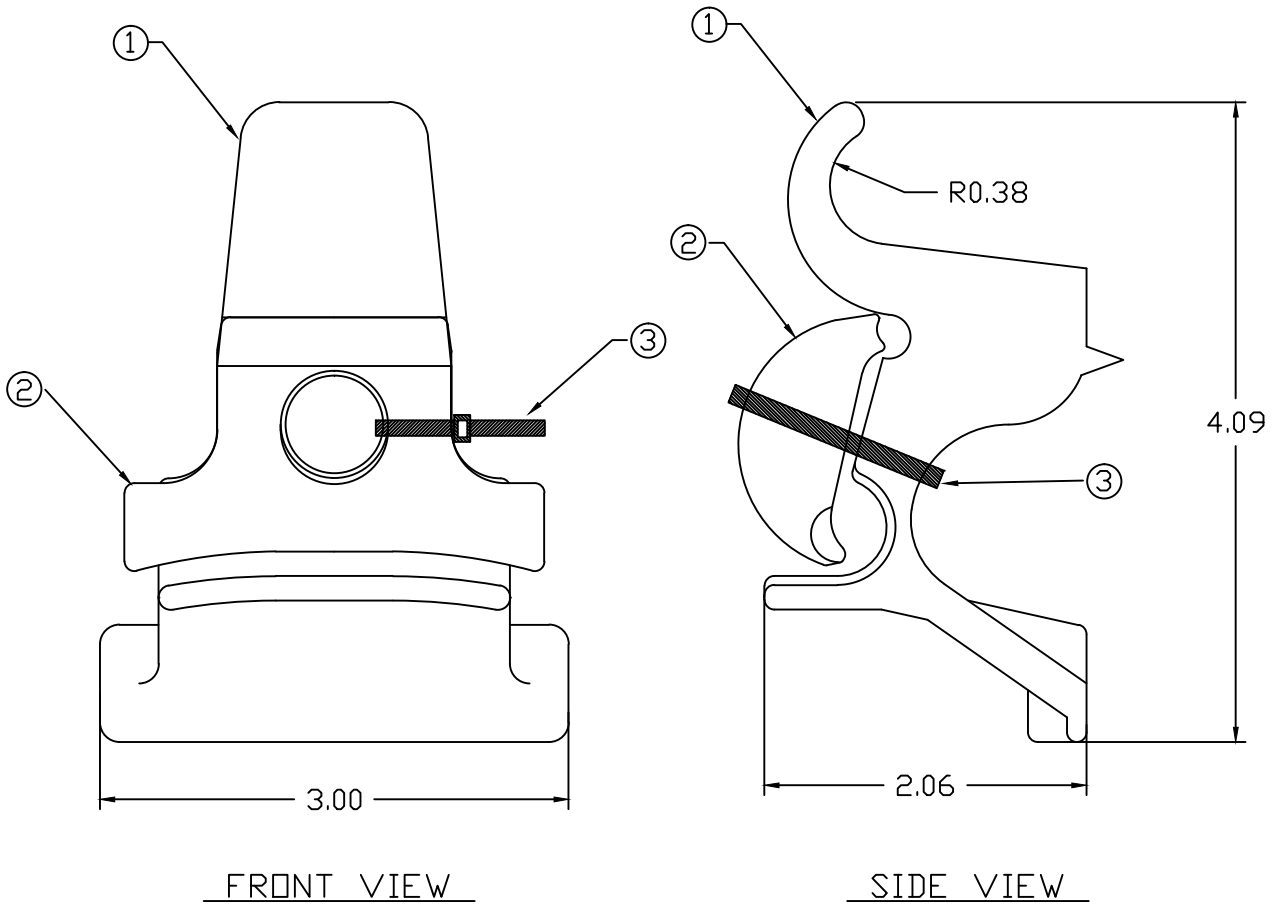


ITEM #	PART #	CATALOG #	DESCRIPTION	QTY	DWG
1	P64657	>MB-62-B	MB-62 BODY	1	PB-278
2	P64658	>MB-62-K	MB-62 KEEPER	1	PA-281
3	P82066	7130K14	NYLON CABLE TIE	1	N/A



BODY & KEEPER - DUCTILE IRON, 654512  
 FINISH - HOT DIP GALVANIZED PER ASTM A153  
 MOUNTING BOLT - 5/8"  
 MESSENGER RANGE - .25" - .61"  
 GROUND WIRE - 0 - 1/4"  
 POLE TO MESSENGER - 1-1/2"

This information is confidential and is the property of Maclean Power Systems. It may not be made public or reproduced except that the Customer may make copies for use solely in installation, maintenance, and operation of products supplied by Maclean Power Systems.

**MACLEAN POWER SYSTEMS**  
 BIRMINGHAM, ALABAMA A MacLean Power Systems Co.

**CATALOG NUMBER: MB-62**  
**MESSENGER CLAMP**  
**ASSEMBLY DRAWING**

NO.	DATE	DESCRIPTION	BY	DATE:	SCALE:	NO.	R	SH.1
				6/15/05	NONE	CEA-1133	0	1
				DWN. MW	CKD. BY:			OF 1
				APR. BY:				