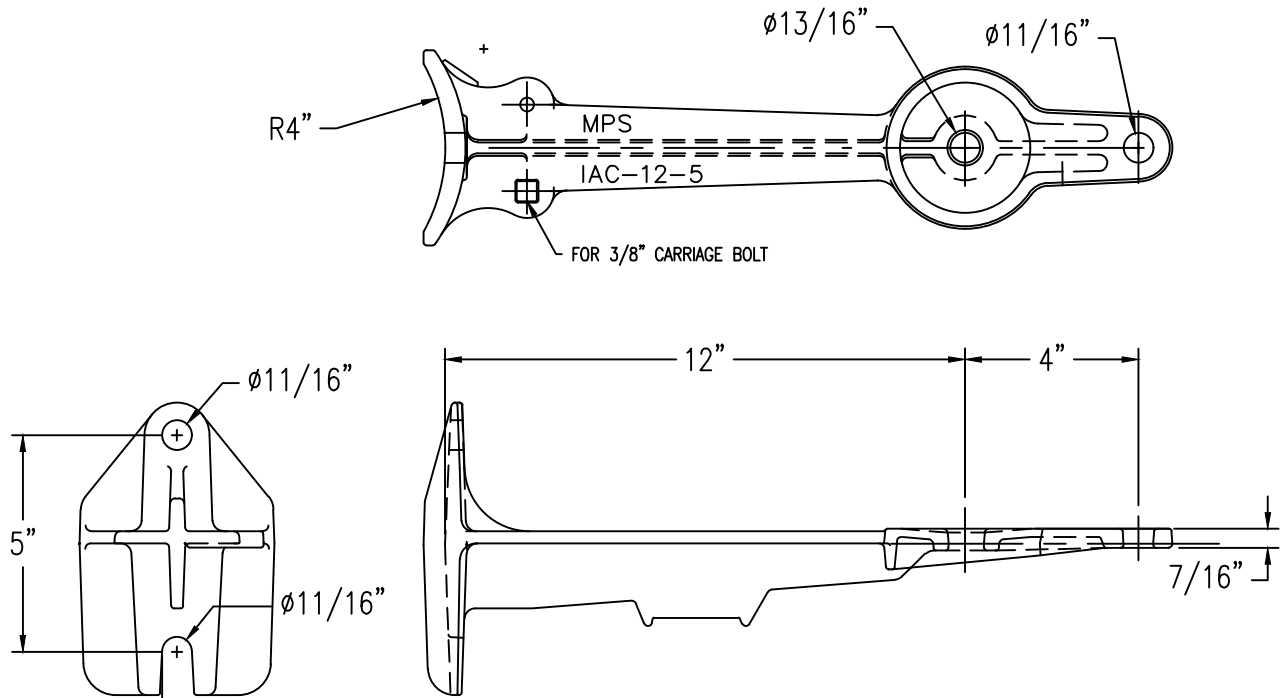


This information is confidential and is the property of Maclean Power Systems. It may not be made public or reproduced except that the Customer may make copies for use solely in installation, maintenance, and operation of products supplied by Maclean Power Systems.


ITEM NO.	PART NO.	CAT. NO.	DESCRIPTION	DWG. NO.
1	P64641C	IAC-12-5-BC	BRACKET	PD299C



NOTES:

- 1.0 MATERIAL—DUCTILE IRON PER ASTM A-536,
- 2.0 COATING—HOT DIP GALVANIZE PER ASTM A-153.
- 3.0 TO SPECIFY THE GROUNDING LUG, ADD SUFFIX "—GC"

NO.	DATE	DESCRIPTION	BY	CKD
2	06/28/21	ADDED BOM TABLE	EDB	
1	01/20/15	DWG # WAS CEB1146	WCL	WCL
REVISIONS				

 MACLEAN POWER SYSTEMS A Maclean-fogg Company	
INSULATOR CUT-OUT & ARRESTOR BRACKET. CAT. NO. IAC-12-5	
DATE: 4/09/69	SCALE: NONE
DWN: TMG	BY: VEP
NO. CEA1146	R/2 SH.1 OF 1