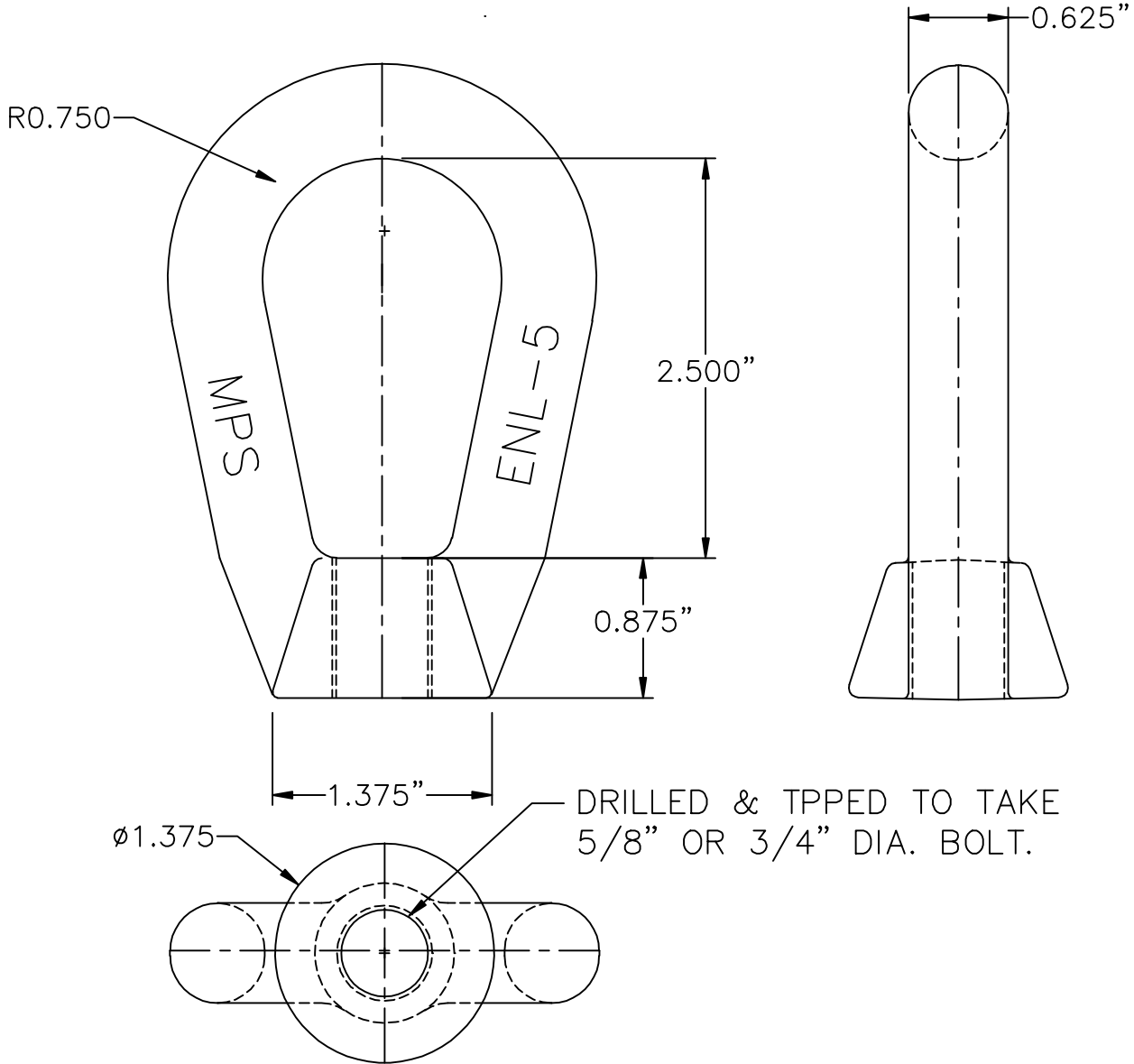


This information is confidential and is the property of Maclean Power Systems. It may not be made public or reproduced except that the Customer may make copies for use solely in installation, maintenance, and operation of products supplied by Maclean Power Systems.



NOTES:

- 1.0 MATERIAL—DUCTILE IRON PER ASTM A-536,
- 2.0 COATING—HOT DIP GALVANIZE PER ASTM A-153.
- 3.0 PART NO. — ENL-5(F411460) FOR 5/8" BOLT &
ENL-6(F411470) FOR 3/4" BOLT.
- 4.0 EST. WEIGHT — 0.73 LBS.
- 5.0 DIMENSION IN INCHES.

NO.	DATE	DESCRIPTION	BY	CKD
1	3/17/71	REDESIGN	LB	

REVISIONS



MACLEAN POWER SYSTEMS
A Maclean-fogg Company

EYE NUT LONG
CAT. NO. ENL-5 & ENL6

DATE: 3/17/71	SCALE: NONE	NO. CEA1326	R/1	SH.1 OF 1
BY: LB	BY:	BY:		