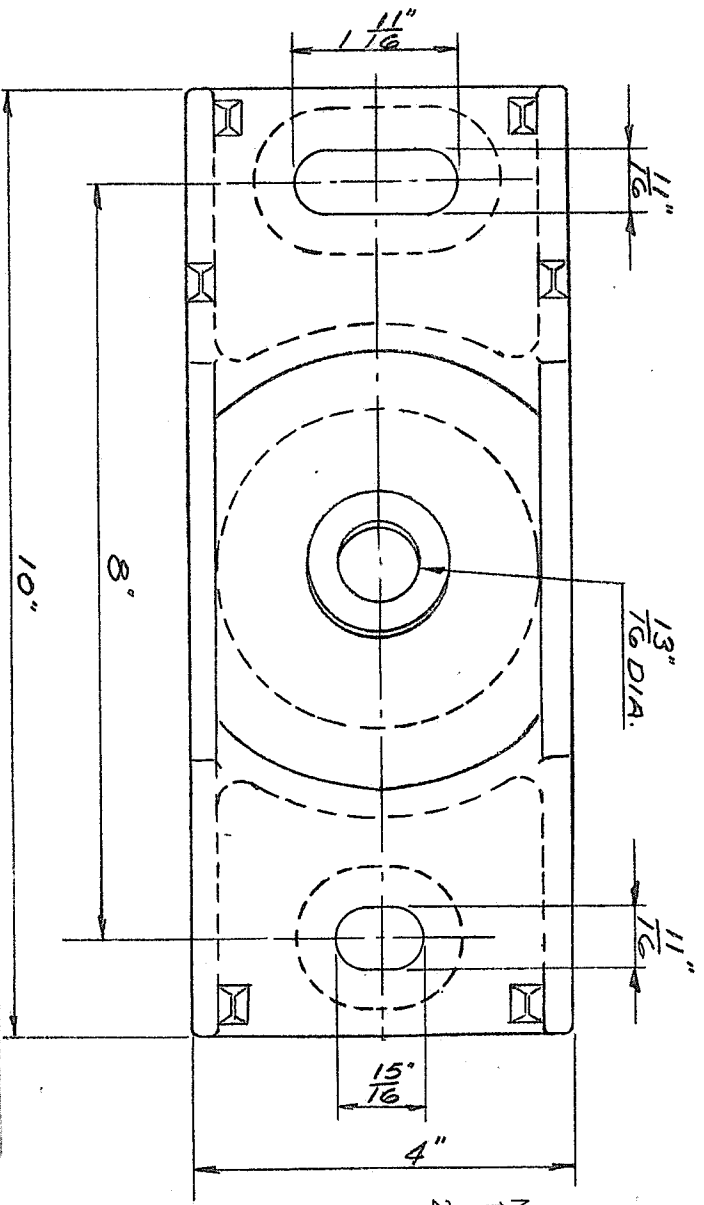
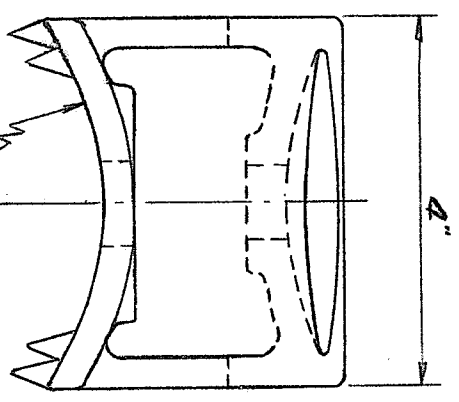
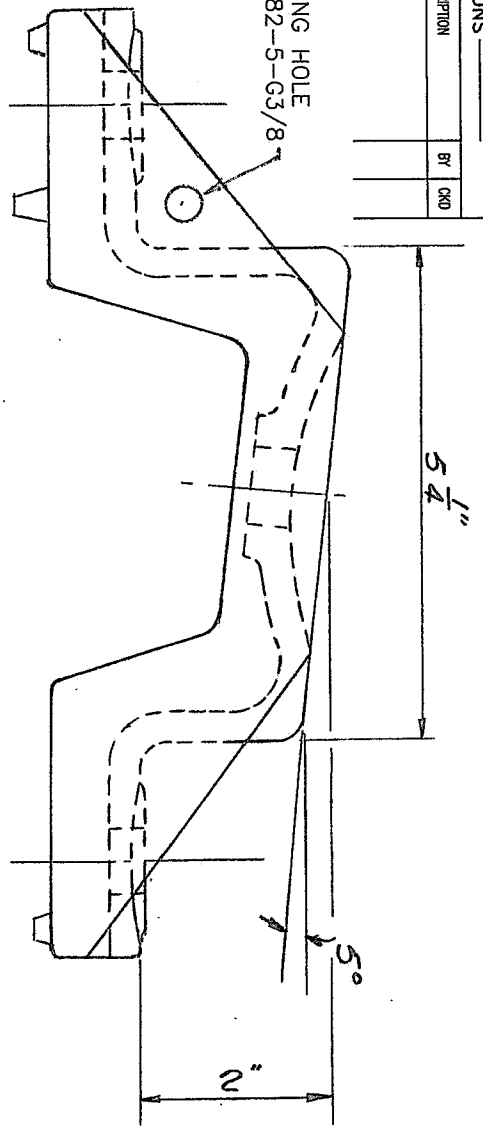


REVISIONS				
NO.	DATE	DESCRIPTION	BY	CHK

Ø0.437 GROUNDING HOLE  
FOR CAT. # HIB-82-5-G3/8



- NOTES:
1. MATERIAL - DUCTILE IRON GRADE 654512. HOT DIP GALV. PER ASTM A-153
  2. FOR POST TYPE INS. THROUGH 66KV.

This information is confidential and is the property of Maclean Power Systems. It may not be made public or reproduced except that the Customer may make copies for use solely in installation, maintenance, and operation of products supplied by Maclean Power Systems.

**MACLEAN POWER SYSTEMS**  
A Maclean-Tagg Company

SINGLE HORIZONTAL INS. BKT.  
HIB-82-5 & HIB-82-5-G3/8

ENG. REF.

DATE: 08-18-71	SCALE: NTS	NO.	CEA-1362	REV. 1
BY: LB	CHK: [ ]	APP: [ ]		REV. 0