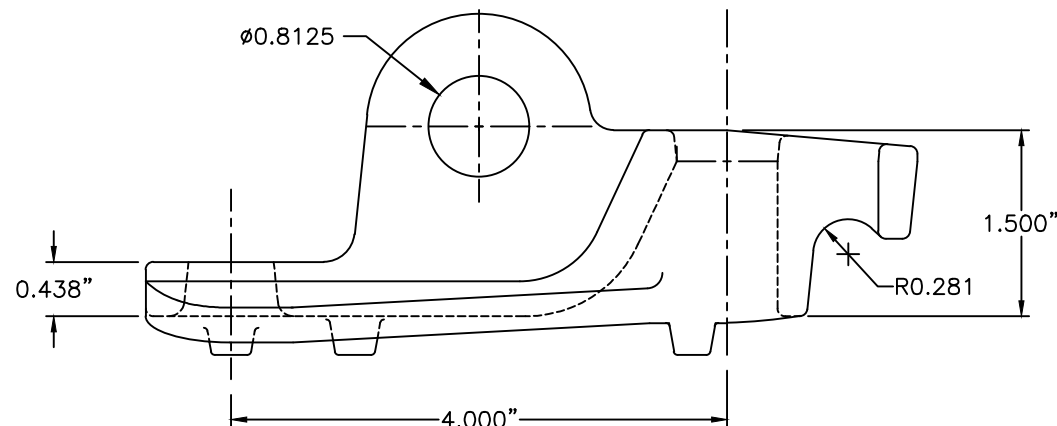
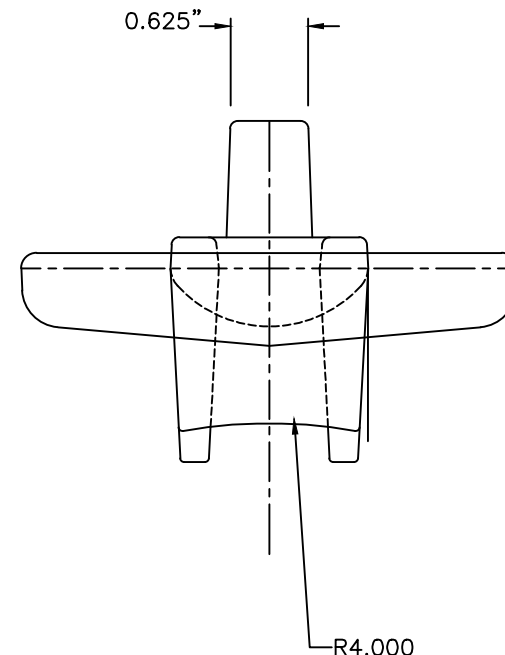
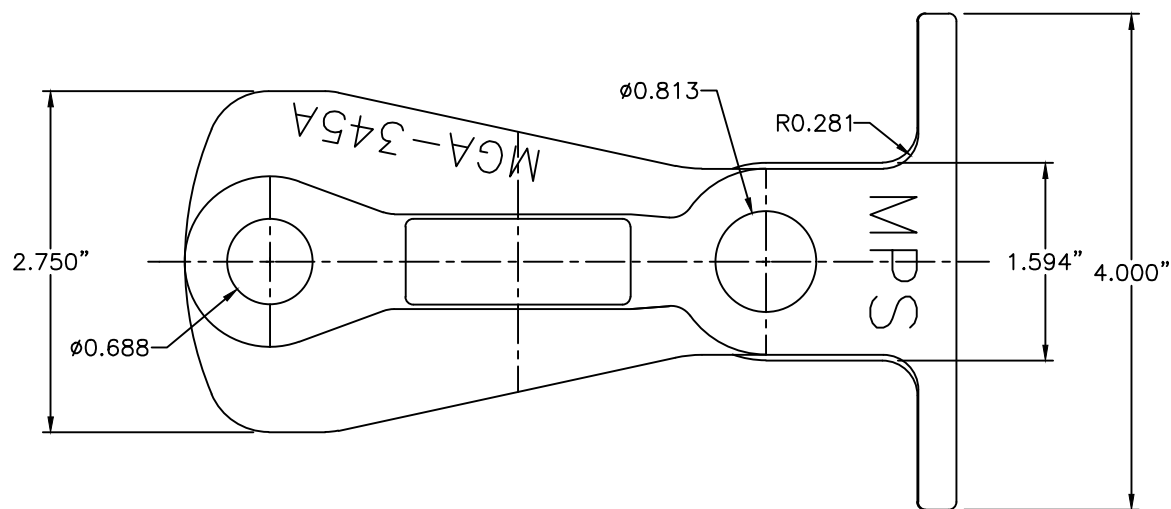


REVISIONS

NO.	DATE	DESCRIPTION	BY	CKD
1	03/15/78	REVISED AND ADDED DIM AS SHOWN	VEP	
2	03/27/14	REDRAWN. DWG WAS CEA1589, R1	WCL	
3	05/26/20	ADDED REFERENCE TO MGA345A-N	KMK	
4	06/28/21	ADDED BOM TABLE	EDB	

ITEM NO.	PART NO.	CAT. NO.	DESCRIPTION	DWG. NO.
1	P64667C	MGA-345AN-BC	GUY HOOK	PB777N



NOTES:

- 1.0 MATERIAL-DUCTILE IRON PER ASTM A-536,
- 2.0 COATING-HOT DIP GALVANIZE PER ASTM A-153.
- 3.0 PART NO. - MGA345A, (F413920)  
MGA345A-N, LESS TEETH (F413940)®
- 4.0 EST. WEIGHT - 2.216 LBS.
- 5.0 DIMENSION IN INCHES.



MacLean Power Systems  
BIRMINGHAM, ALABAMA

DRAWN BY: ALC

APPROVED BY: WCL  
CHECKED BY:

SCALE: 1"=1"

GUY HOOK, MGA345A  
Rated Strength: 20,050 Lbs.

DATE: 10/04/77

DRAWING NO: CEA-1589

R/4

This information is confidential and is the property of Maclean Power Systems. It may not be made public or reproduced except that the Customer may make copies for use solely in installation, maintenance, and operation of products supplied by Maclean Power Systems.