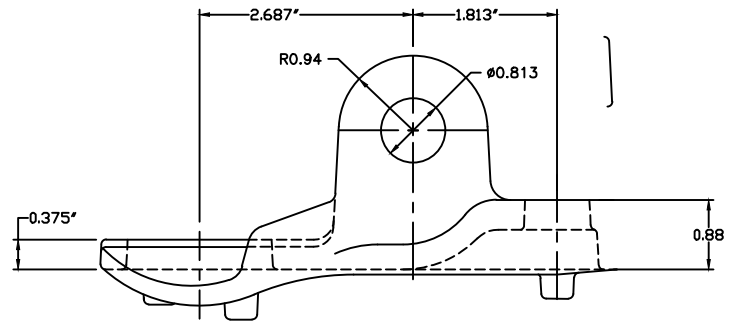
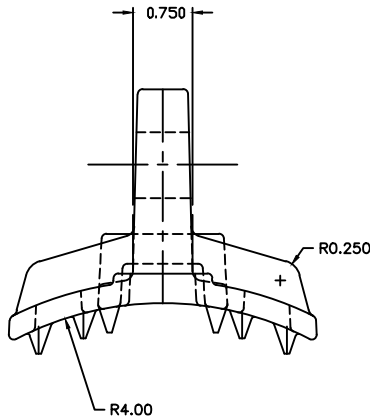
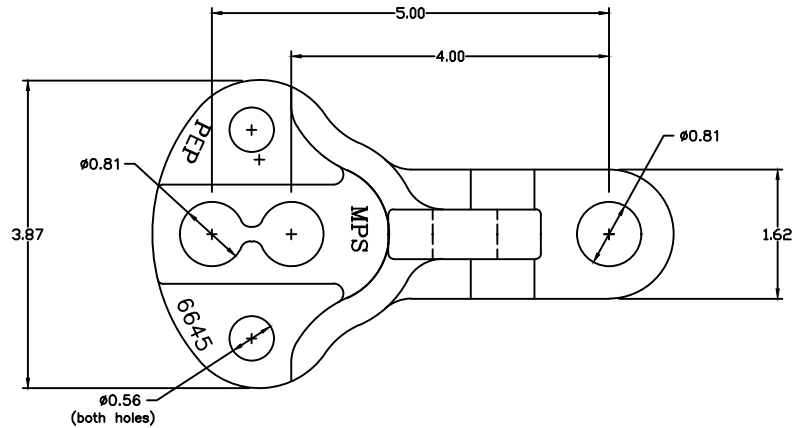


This information is confidential and is the property of Maclean Power Systems. It may not be made public or reproduced except that the Customer may make copies for use solely in installation, maintenance, and operation of products supplied by Maclean Power Systems.

NO. CEA-1775

ITEM NO.	PART NO.	CAT. NO.	DESCRIPTION	DWG. NO.
1	P65040C	PEP-6645LT-BC	POLE EYE PLATE	PB2167C



NOTES:
 MATERIAL—DUCTILE IRON
 FINISH: HOT DIP GALVANIZED PER ASTM A-153.
 CAT. NO.—PEP-6645 & PEP-6645LT(LESS TEETH).
 ULTIMATE STRENGTH: 21,000 LBS.



MACLEAN POWER SYSTEMS
 A Maclean-fogg Company

POLE EYE PLATE
 CAT. NO. PEP-6645 &
 PEP-6645LT

NO.	DATE	DESCRIPTION	BY	CKD
3	06/28/21	ADDED BOM TABLE	EDB	
2	09/15/14	Added PEP6645LT.	WCL	WCL
1	05/30/14	Redrawn.	WCL	WCL
REVISIONS				

DATE: 1-19-09	SCALE:	NO. CEA-1775	R/3	SH.1 OF 1
DWN. BY: CBH	CKD. BY:	APR. BY: WCL		