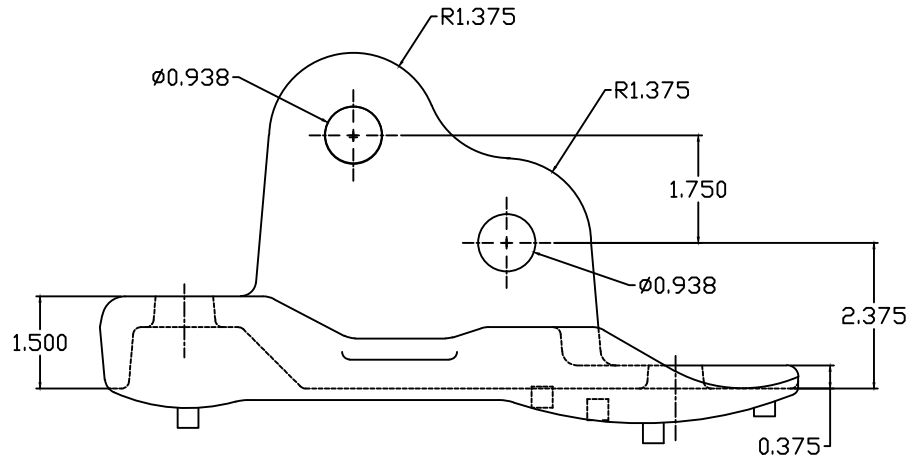
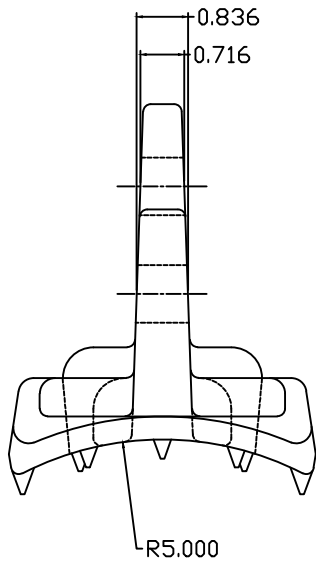
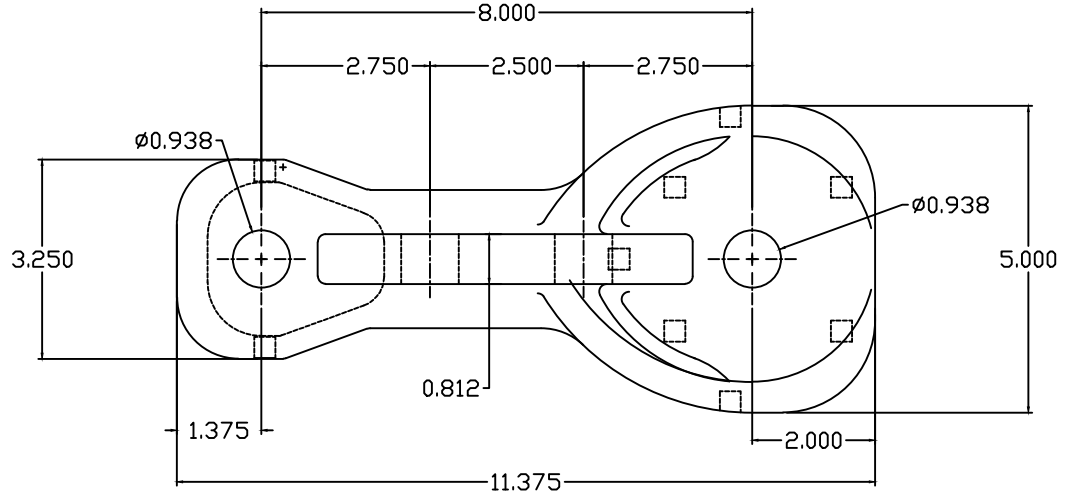


ITEM NO.	PART NO.	CAT. NO.	DESCRIPTION	DWG. NO.
1	P65041C	ERP877D7REBC	DBL EYE POLE EYE PLATE	PB2168C



**NOTES:**

1. MATERIAL: DUCTILE IRON, GRADE 654512
2. FINISH: HOT DIP GALVANIZED
3. ADD SUFFUX "LT" FOR LESS TEETH.
3. DIMENSIONS IN INCHES



**MACLEAN POWER SYSTEMS**  
A Maclean-fogg Company

DRAWN BY: DPM

APPROVED BY: WCL  
CHECKED BY: WCL

SCALE: NONE

POLE EYE PLATE

CAT. NO: EPR877D7RE & EPR877D7RELT

NO.	DATE	DESCRIPTION	BY
3	06-28-21	ADDED BOM TABLE	EDB
2	01-27-17	ADDED SIDE VIEW	WCL
1	03-13-92	REDRAWN IN AUTOCAD	CDL

DATE: 4-13-82

DRAWING NO: CEA-1877

R/3