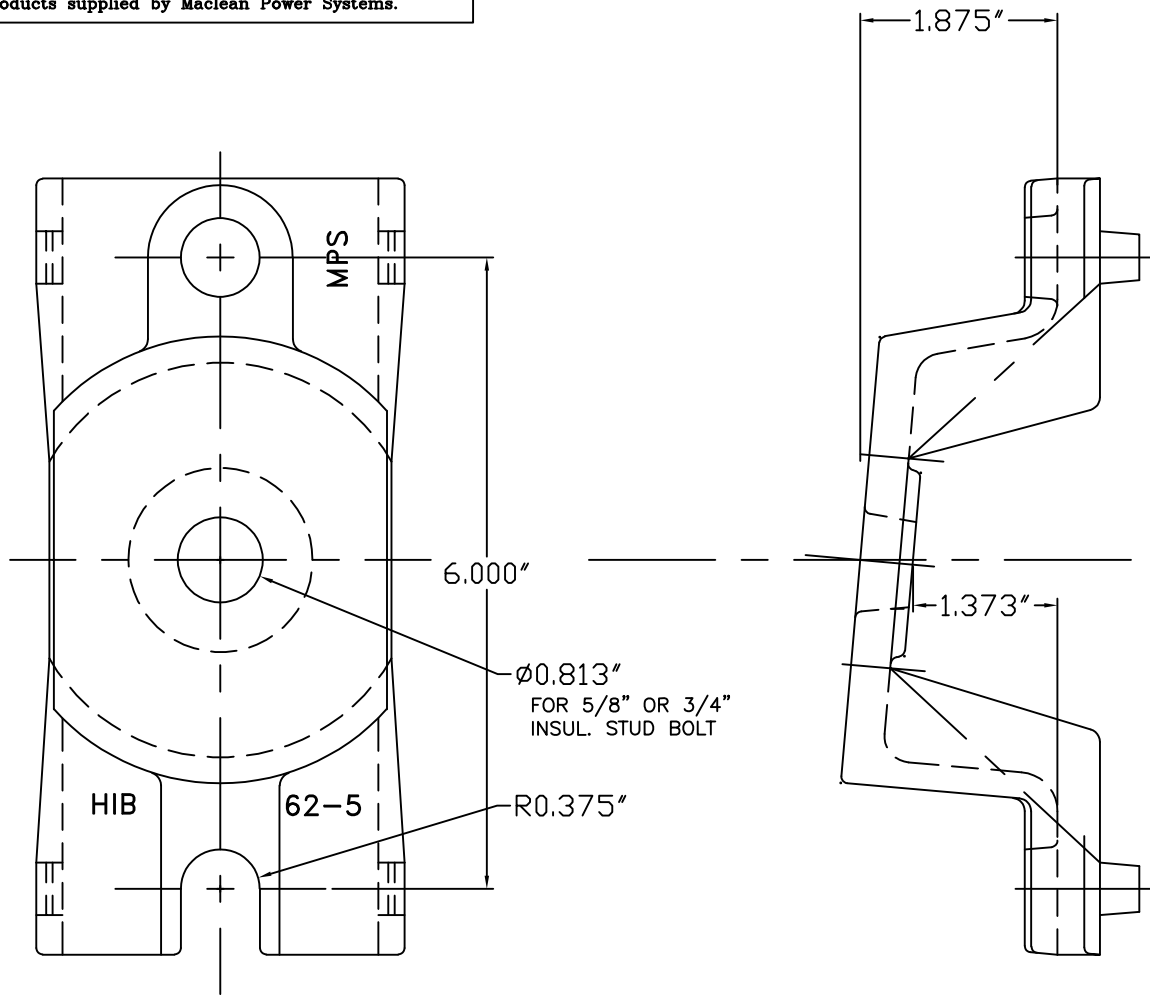


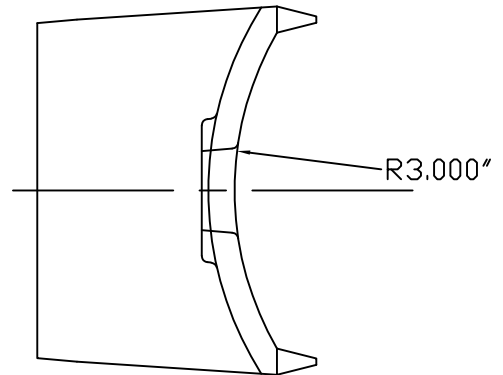
This information is confidential and is the property of Maclean Power Systems. It may not be made public or reproduced except that the Customer may make copies for use solely in installation, maintenance, and operation of products supplied by Maclean Power Systems.

NO. CEA-2141



NOTES:

- 1.0 MATERIAL—DUCTILE IRON PER ASTM A-536, GRADE 654512, BHN 156-217.
- 2.0 COATING—HOT DIP GALVANIZE PER ASTM A-153.
- 3.0 EST. WEIGHT 3.031 LBS
- 4.0 DIMENSION IN INCHES.
- 5.0 FOR USE WITH PIN OR POST TYPE INSULATORS THROUGH 35kV.
- 6.0 FOR LESS TEETH VERSION, ADD SUFFIX "-LT" (EXAMPLE: HIB-62-5-LT)



NO.	DATE	DESCRIPTION	BY	CKD
1	9/26/23	RE-DRAWN IN CAD, USED JOSLYN TOOLING, ADDED -LT VERSION	KMK	

REVISIONS



MACLEAN POWER SYSTEMS

HORIZONTAL INSULATOR BRACKET

HIB-62-5

DATE: 5/02/85	SCALE: NA	NO. CEA-2141	R/1	SH.1 OF 1
BY: AG	BY: CKD	BY: APR		