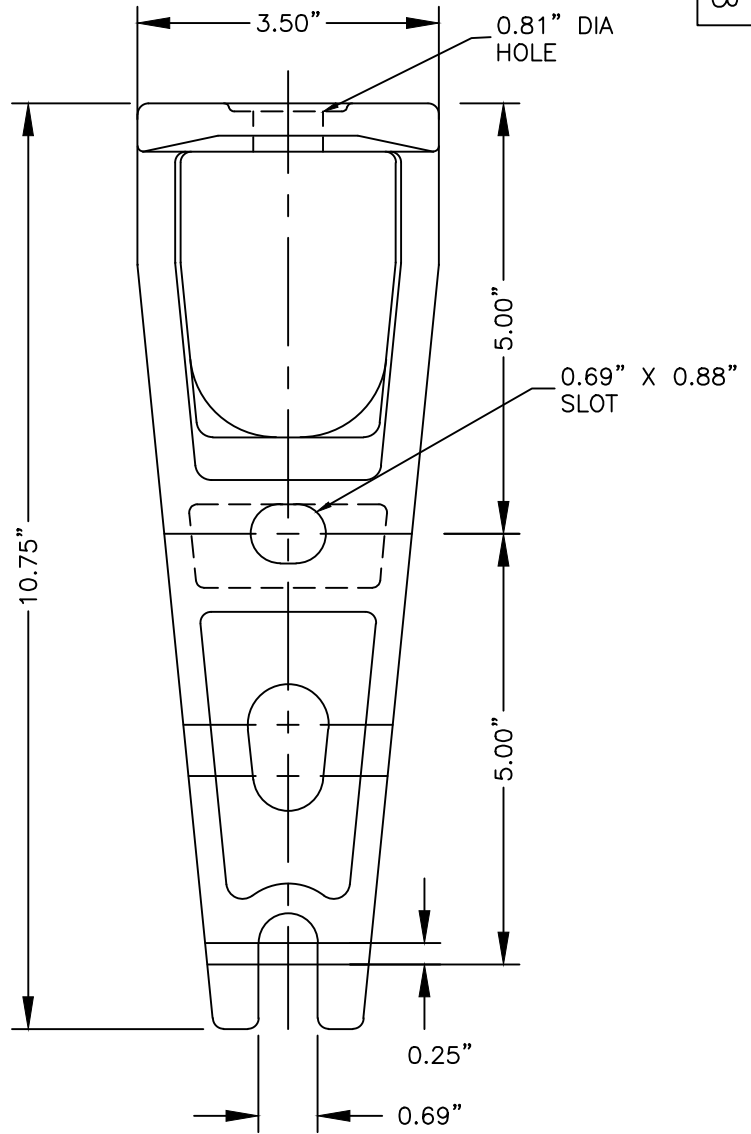
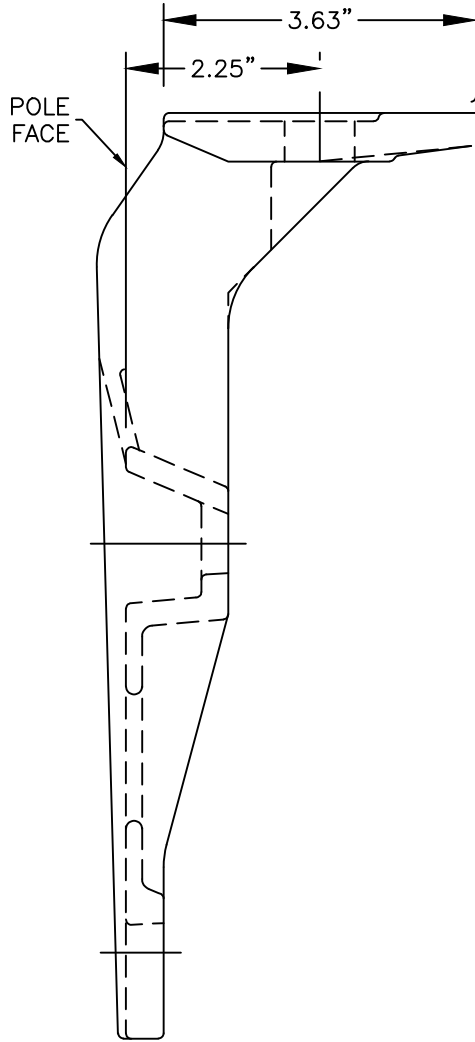


This information is confidential and is the property of Maclean Power Systems. It may not be made public or reproduced except that the Customer may make copies for use solely in installation, maintenance, and operation of products supplied by Maclean Power Systems.

NO. CEA-2268

ITEM NO.	PART NO.	CAT. NO.	DESCRIPTION	DWG. NO.
1	P64700C	PTB-55W-BC	BRACKET	PB1247



NOTES:

1. MATERIAL: DUCTIL IRON
2. FINISH: HOT DIP GALVANIZED PER ASTM A-153
3. ULTIMATE STRENGTH: 1,500 LBS. AWAY FROM POLE
2,100 LBS LONGITUDINAL AND TOWARDR THE POLE.
4. KV RATING: 25KV - 35KV.
5. WEIGHT: 5.07 LBS.

NO.	DATE	DESCRIPTION	BY	CHKD
2	6/28/21	ADDED BOM TABLE	EDB	
1	2/10/88	ADDED SUFFIX "W" TO CAT. #	EHJ	
REVISIONS				



MACLEAN POWER SYSTEMS
A Maclean-fogg Company

PTB-55W
POLE TOP INSULATOR BRACKET

DATE: 11-05-86	SCALE:	NO. CEA-2268	R/2	SH.1 OF 1
DWN. BY: EHJ	CKD. BY:	APR. BY:		