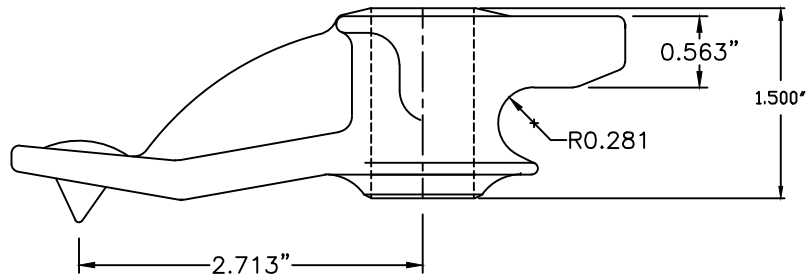
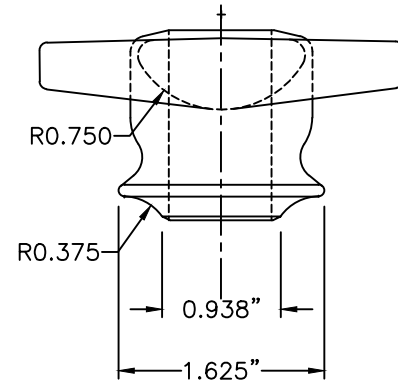
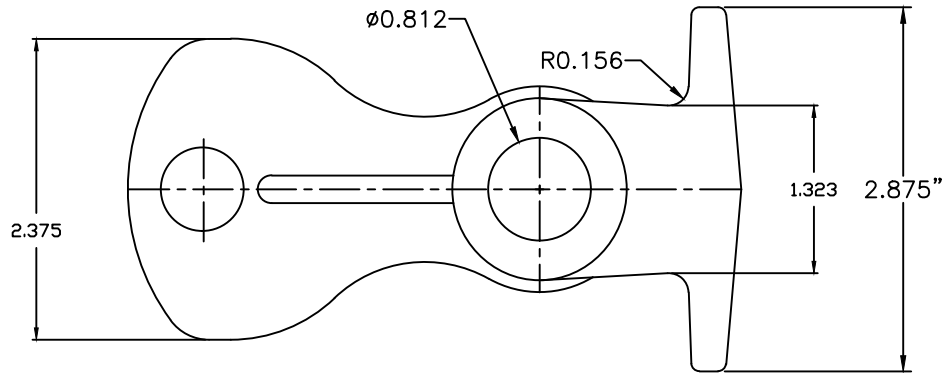


REVISIONS

NO.	DATE	DESCRIPTION	BY	CKD
1	06/28/21	ADDED BOM TABLE	EDB	

ITEM NO.	PART NO.	CAT. NO.	DESCRIPTION	DWG. NO.
1	P64580C	GAD56X-BC	GUY ATTACHMENT	PB1021A



NOTES:

- 1.0 MATERIAL-DUCTILE IRON PER ASTM A-536,
- 2.0 COATING-HOT DIP GALVANIZE PER ASTM A-153.
- 3.0 PART NO. - GAD56X, (F412360)
- 4.0 EST. WEIGHT - 0.89 LBS.
- 5.0 DIMENSION IN INCHES.



MacLean Power Systems
BIRMINGHAM, ALABAMA

DRAWN BY: AH

APPROVED BY:
CHECKED BY:

SCALE: 1"=1"

GUY HOOK, GAD56X
Rated Strength: 20,050 Lbs.

DATE: 05/12/87

DRAWING NO: CEA-2327

R/1

ENG. REF.

This information is confidential and is the property of Maclean Power Systems. It may not be made public or reproduced except that the Customer may make copies for use solely in installation, maintenance, and operation of products supplied by Maclean Power Systems.