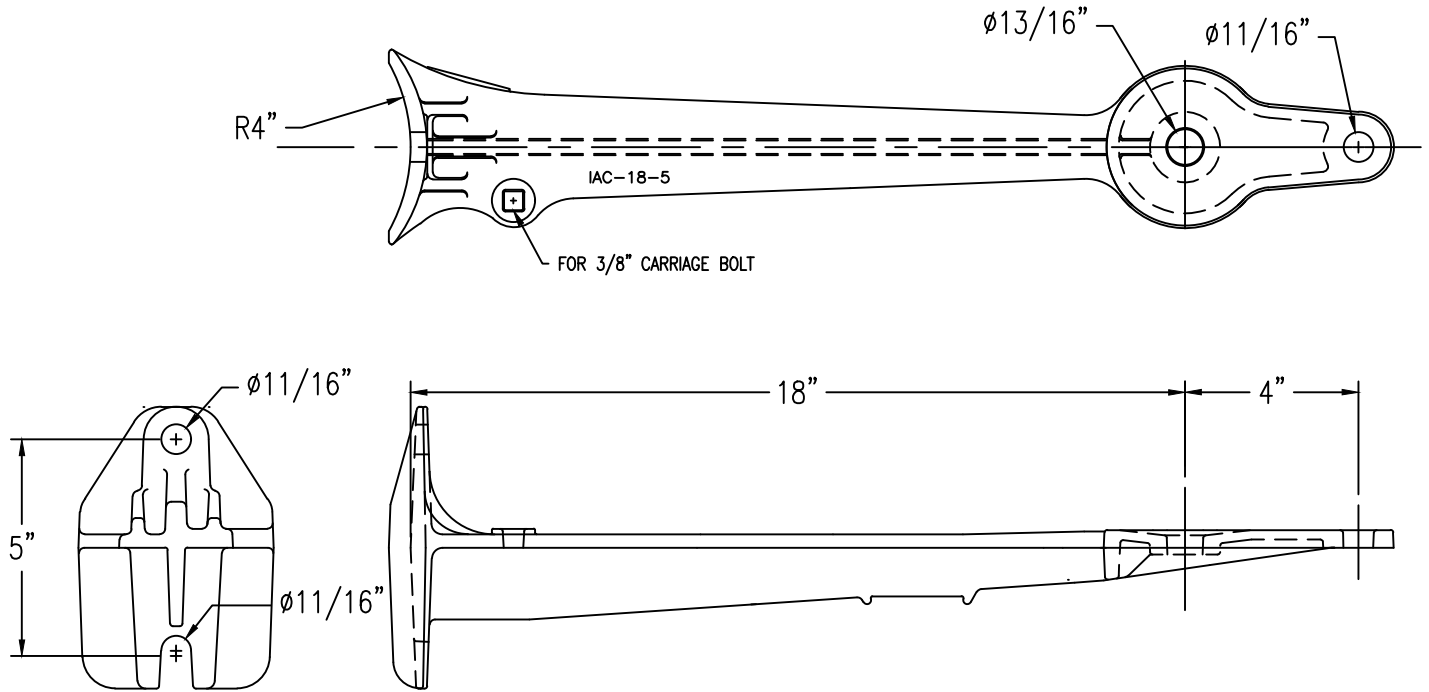


This information is confidential and is the property of Maclean Power Systems. It may not be made public or reproduced except that the Customer may make copies for use solely in installation, maintenance, and operation of products supplied by Maclean Power Systems.

ITEM NO.	PART NO.	CAT. NO.	DESCRIPTION	DWG. NO.
1	P64642C	IAC-18-5-BC	INSULATOR ARRESTOR CUTOUT BRACKET	PC550C



NOTES:

- 1.0 MATERIAL—DUCTILE IRON PER ASTM A-536,
- 2.0 COATING—HOT DIP GALVANIZE PER ASTM A-153.
- 3.0 TO SPECIFY THE GROUNDING LUG, ADD SUFFIX "—GC"

NO.	DATE	DESCRIPTION	BY	CKD
2	06/28/21	ADDED BOM TABLE	EDB	
1	03/24/14	WAS IAC-12-5 DWG	WCL	WCL
1	04/15/94	REMOVED IAC18-5 FROM TABLE	AH	
REVISIONS				

**MACLEAN POWER SYSTEMS**  
A Maclean-fogg Company

**INSULATOR CUT-OUT & ARRESTOR BRACKET. CAT. NO. IAC-18-5**

DATE: 3/27/89	SCALE: NONE	NO.	R/3	SH.1 OF 1
BY: AH	BY: VEP	NO. CEA2542		