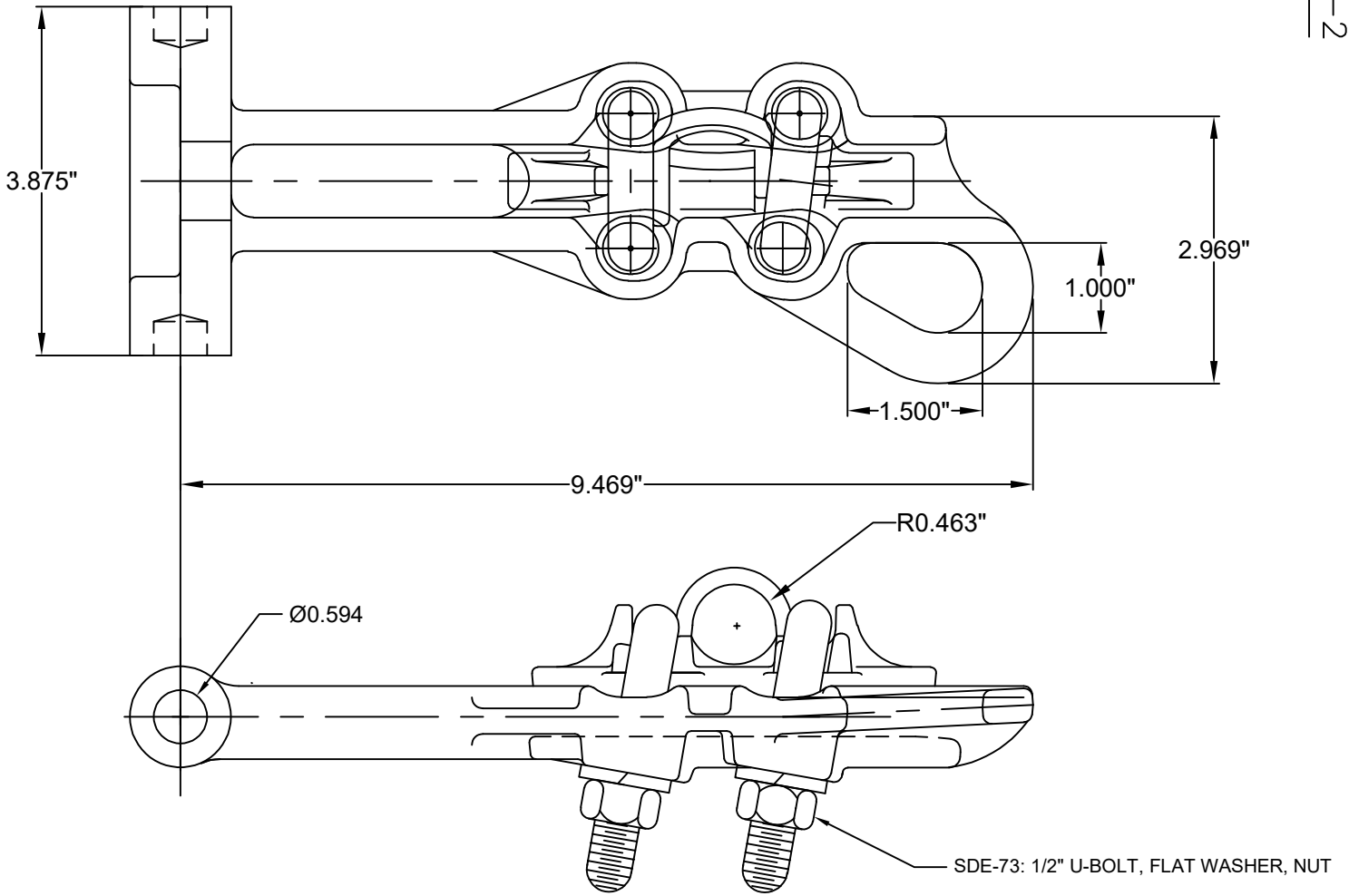


This information is confidential and is the property of Maclean Power Systems. It may not be made public or reproduced except that the Customer may make copies for use solely in installation, maintenance, and operation of products supplied by Maclean Power Systems.

NO CEA-2984-2



NOTES:

1. BODY & KEEPER: DUCTILE IRON GRADE 654512, HOT DIP GALVANIZED PER ASTM A-153
2. HARDWARE: STEEL, HOT DIP GALVANIZED PER ASTM-A-153
3. RIV SUPPRESSOR SPRING: STAINLESS STEEL
4. CLAMPING RANGE: .25" - .73"
5. RECOMMENDED TORQUE ON U-BOLTS: 40/45 FT.LBS.
6. DIMENSIONS IN INCHES

NO.	DATE	DESCRIPTION	BY	CKD

REVISIONS



MACLEAN POWER SYSTEMS
A Maclean-fogg Company

STRAIGHT DEADEND
CTD-73F

DATE: 06/29/92	SCALE: NA	NO. CEA-2984-2	R/0	SH.1 OF 1
DWN. BY: EDB	CKD. BY:	APR. BY:		