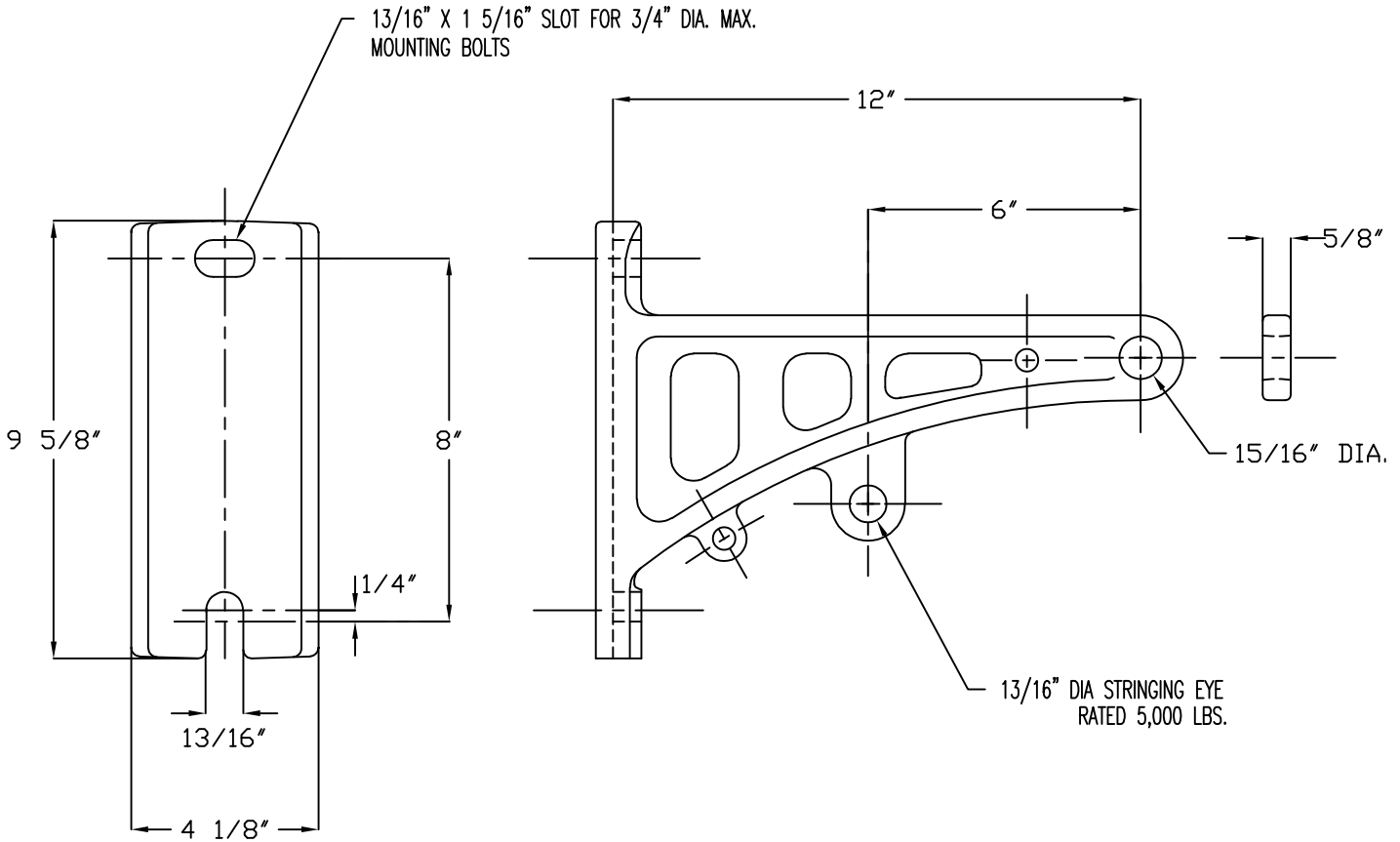


This information is confidential and is the property of Maclean Power Systems. It may not be made public or reproduced except that the Customer may make copies for use solely in installation, maintenance, and operation of products supplied by Maclean Power Systems.

NO. CEA-3398



NOTES: \_\_\_\_\_

- 1.0 MATERIAL:
  - 1.1 DUCTILE IRON: GRADE 604018
- 2.0 FINISH:
  - 2.1 HOT DIP GALVAINZE PER ASTM A-153 SPEC'S
- 3.0 BASE DESIGNED FOR FLAT OR ROUND SURFACES
- 4.0 TO ORDER BRACKET GROUNDING BOLT ADD "-GB" TO CATALOG NO.
  - EXAMPLE: SWB-86-12-GB (OPTION NO LONGER AVAILABLE.)<sup>®</sup>
- 5.0 TO ORDER BRACKET AND CLAMP GROUNDING BOLTS ADD "-GB2" TO CATALOG NO.
  - EXAMPLE: SWB-86-12-GB2 (OPTION NO LONGER AVAILABLE.)<sup>®</sup>

NO.	DATE	DESCRIPTION	BY	CKD
1	4/18/23	CHANGED BORDER. ELIMINATED OPTIONS 4 & 5	KMK	

REVISIONS

**MACLEAN POWER SYSTEMS**  
 A Maclean-fogg Company

STATIC WIRE BRACKET  
 SWB-86-12

DATE: 02-23-99	SCALE: NA	NO. CEA-3398	R/1	SH.L OF 1
BY: M.H.	BY:	BY:		