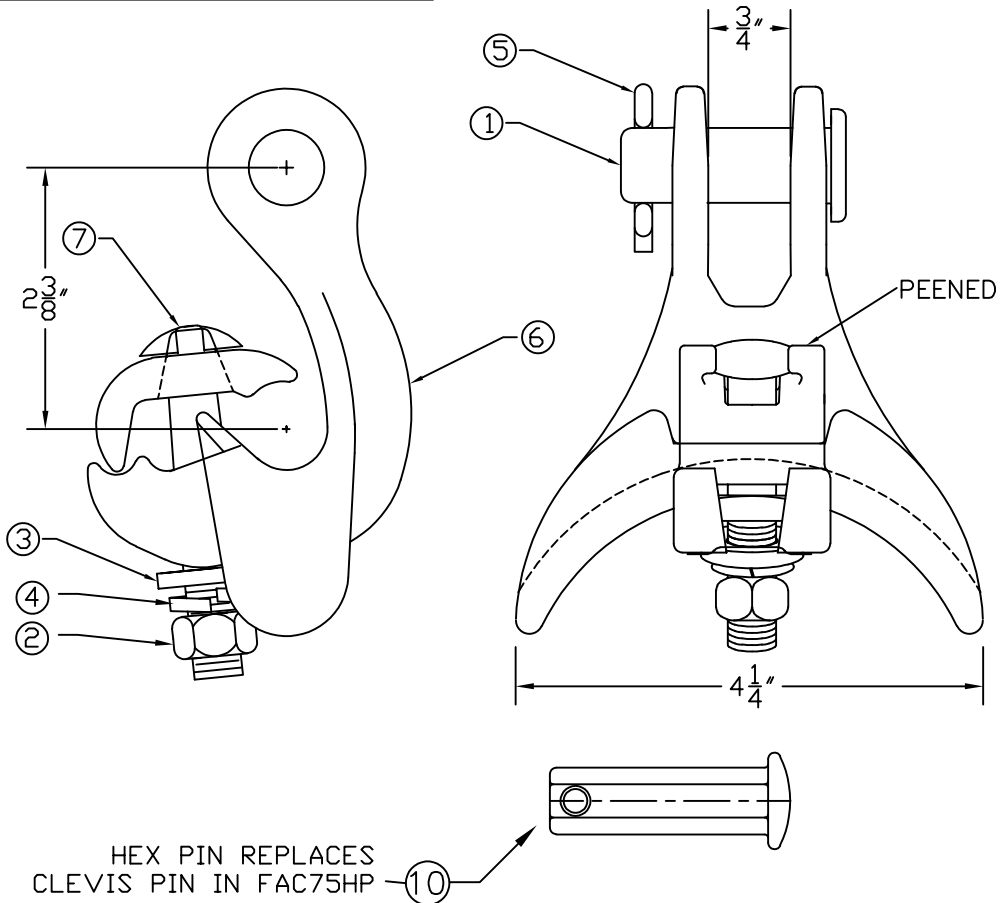


This information is confidential and is the property of Maclean Power Systems. It may not be made public or reproduced except that the Customer may make copies for use solely in instillation, maintenance, and operation of products supplied by Maclean Power Systems.

NO. CEA-3637



ITEM NO.	PART NO.	CAT. NO.		QTY FAC75	QTY FAC75HP
1	P56094	H-0315-03	5/8"x2 1/16" CLEVIS PIN	1	—
2	P56137	H-0400-04	1/2"-13 HEX NUT	1	1
3	P56294	H-0500-04	1/2" FLAT WASHER	1	1
4	P56399	H-0520-04	1/2"LUCK WASHER	1	1
5	P61134	M-111-3	LONG COTTER PIN, 5/8"	1	1
6	P64544C	>FAC-75B-C	FAC-75 BODY	1	1
7	P64545P	>FAC-75KP	FAC-75 KEEPER PEENED	1	1
8	P61654	H-0315-03	5/8" X 2 1/8" HEX PIN	—	1

- NOTES:**
- MATERIAL - BODY AND KEEPER: DUCTILE IRON, HOT DIP GALVANIZED PER ASTM A153  
HARDWARE: STEEL, HOT DIP GALV. PER ASTM-A153  
COTTER PIN: STAINLESS STEEL
  - ULTIMATE STRENGTH - 14,000 LBS.
  - CLAMPING RANGE - 0.16"-0.75"  
MAXIMUM LINE ANGLE - 120°.
  - RECOMMENDED TORQUE - 40-45 FT. LBS.

NO.	DATE	DESCRIPTION	BY	CKD

**MACLEAN POWER SYSTEMS**  
A Maclean-fogg Company

IRON SUSPENSION ANGLE CLAMP  
CAT. NO. FAC75, FAC75HP

REVISIONS

DATE: 9/12/06 SCALE: NONE NO. CEA-3637 R/0 SH.1  
 DWN. BY: KMK CKD. BY: WCL APR. BY: WCL 0 OF 1