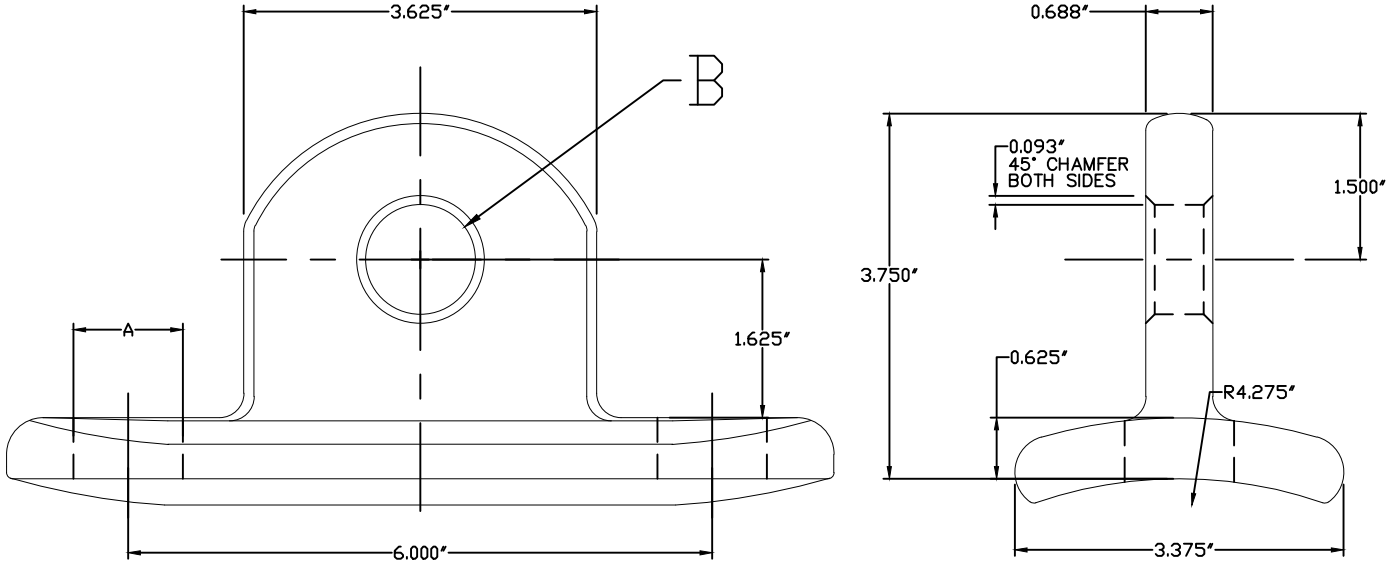


This information is confidential and is the property of Maclean Power Systems. It may not be made public or reproduced except that the Customer may make copies for use solely in installation, maintenance, and operation of products supplied by Maclean Power Systems.

No. CEA-3768

ITEM NO.	PART NO.	CAT. NO.	DESCRIPTION	DWG. NO.
1	P65422C	DETR60K-67BC	DEAD END TEE	PB2161C



CATALOG NO.	"A" DIA.	"B" DIA.
DETR60K-67	13/16"	15/16"
DETR60K-79	15/16"	1-1/4"
DETR60K-88	1-1/16"	1-1/8"
DETR60K-98	1-3/16"	1-1/8"

MATERIAL—CAST STEEL PER ASTM A958 GRADE SC1045 OR AISI 8620 OR EQUAL WITH MIN. OF 40KSI AND 80KSI YIELD AND TENSILE STRENGTH.

FINISH—HOT DIPPED GALVANIZED AS PER ASTM A153.

RATED STRENGTH—60,000 LBS.

WEIGHT—6.70 LB.

NO.	DATE	DESCRIPTION	BY	CKD
4	6/28/21	ADDED BOM TABLE	EDB	
3	1/05/15	ADDED 0.093", 45° CHAMFER	WCL	
2	7/21/11	ADDED DETR60K-98, &-79	KMK	
1	1/12/11	WEIGHT WAS 5.65#	KMK	



MACLEAN POWER SYSTEMS
A Maclean-fogg Company

POLE EYE PLATE
DETR60K SERIES

REVISIONS

DATE: 7-6-10	SCALE:	NO. CEA-3768	R/4	SH.1 OF 1
DWN. BY: DEB	CKD. BY:	APR. BY:		