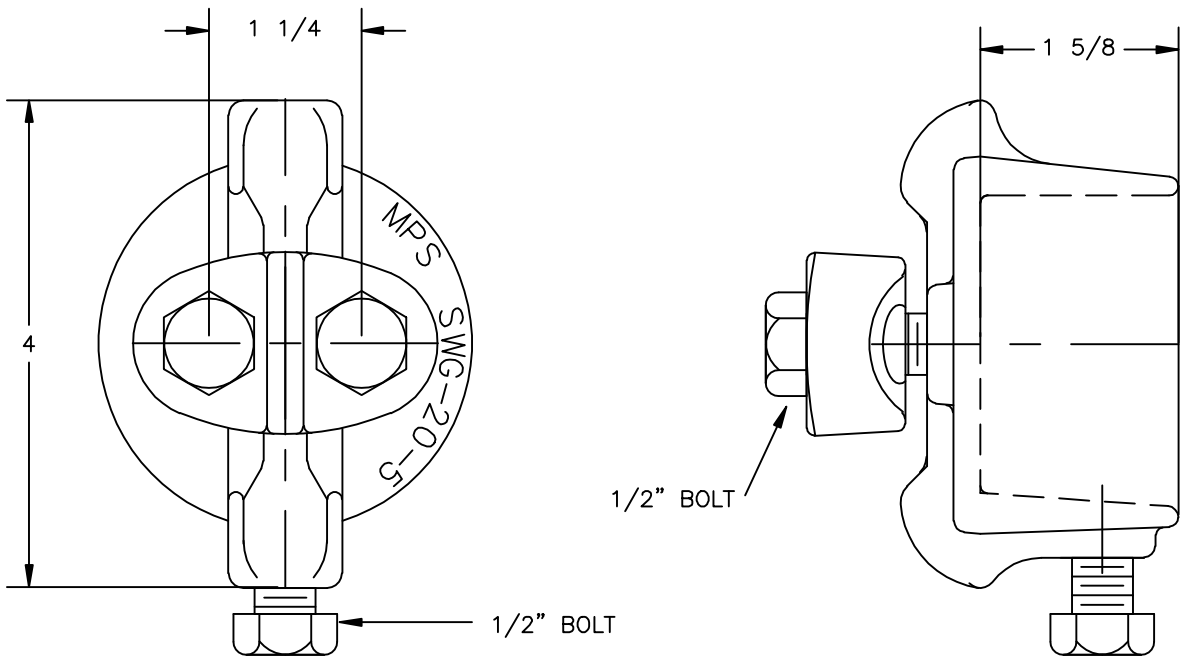


This information is confidential and is the property of Maclean Power Systems. It may not be made public or reproduced except that the Customer may make copies for use solely in installation, maintenance, and operation of products supplied by Maclean Power Systems.

NO. CEA-3807



NOTES:

- CASTING: DUCTILE IRON GRADE 654512 PER ASTM A-536
- HARDWARE: ASTM A307 GR. A
- FINISH: HOT DIP GALVANIZE PER ASTM A-153
- WIRE RANGE: 1/4" TO 9/16"

NO.	DATE	DESCRIPTION	BY	CKD

REVISIONS



SIDEWALK GUY CAP
FOR 2-3/8" OD PIPE
CAT. NO. SWG-20-5

DATE: 7/1/11	SCALE:	NO. CEA-3807	R/0	SH.1 OF 1
BY: DEB	BY:	BY:		