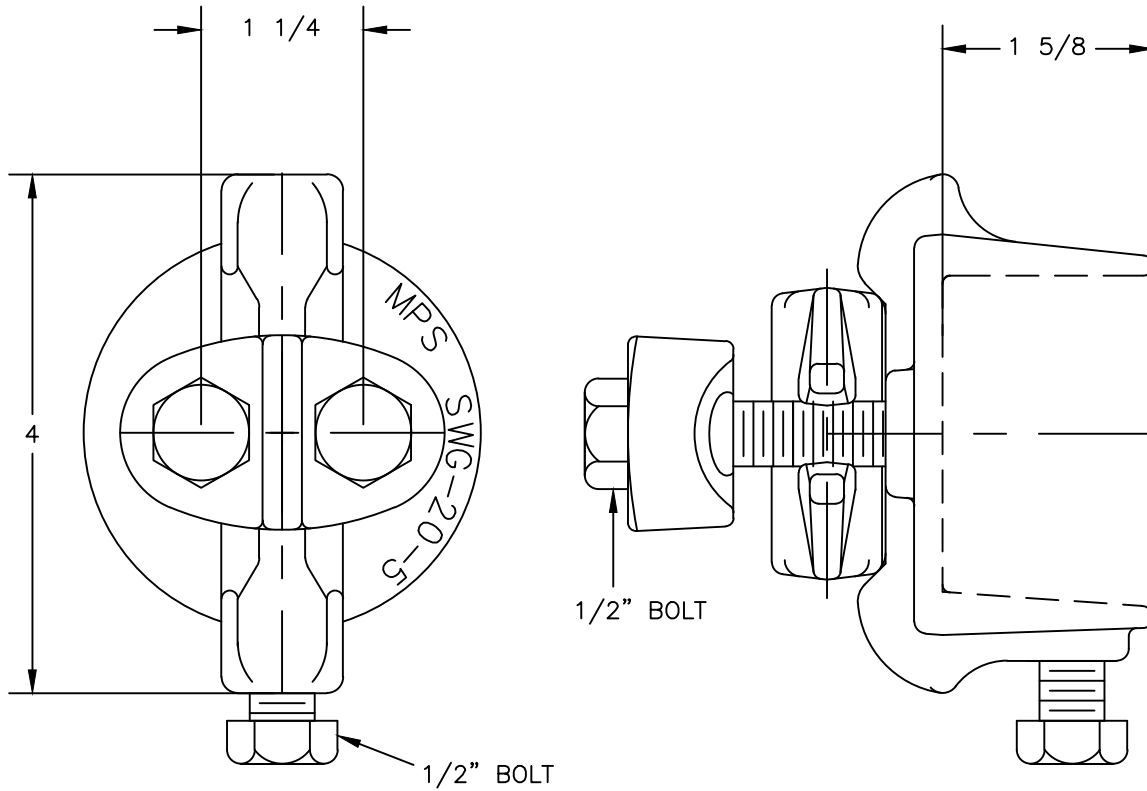


This information is confidential and is the property of Maclean Power Systems. It may not be made public or reproduced except that the Customer may make copies for use solely in installation, maintenance, and operation of products supplied by Maclean Power Systems.

NO. CEA-3808



NOTES:

CASTING: DUCTILE IRON GRADE 654512 PER ASTM A-536

HARDWARE: ASTM A307 GR. A

FINISH: HOT DIP GALVANIZE PER ASTM A-153

WIRE RANGE: 5/16" TO 9/16"

NO.	DATE	DESCRIPTION	BY	CKD

REVISIONS



**MACLEAN POWER SYSTEMS**  
A Maclean-fogg Company

SIDEWALK GUY CAP FOR 2-3/8"  
OD PIPE WITH KEEPER  
CAT. NO. SWG2-20-5

DATE: 7/1/11	SCALE:	NO. CEA-3808	R/0	SH.1 OF 1
BY: DEB	BY:	BY:		