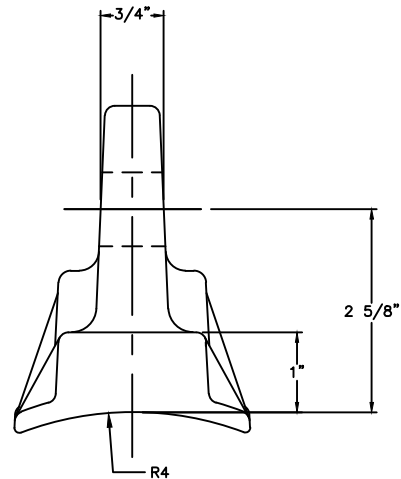
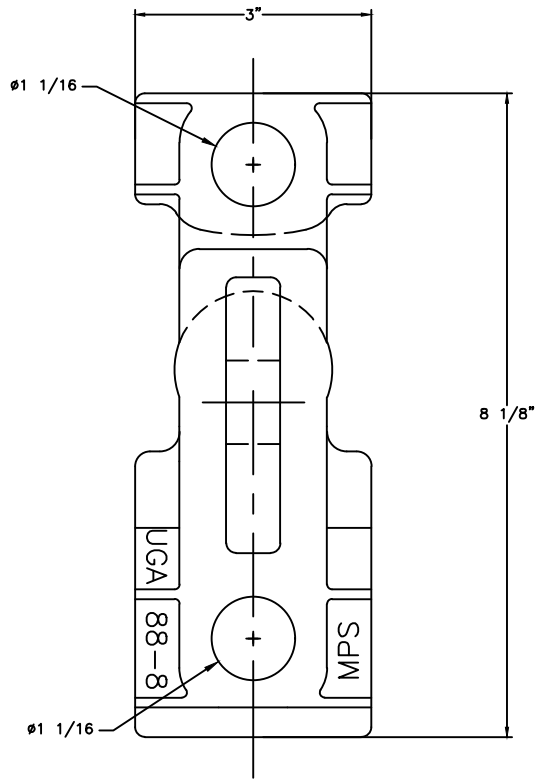
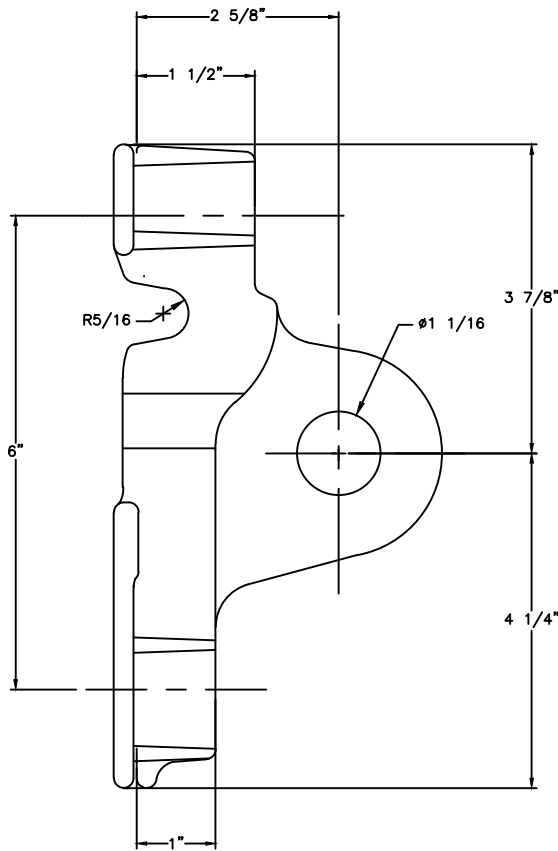


This information is confidential and is the property of Maclean Power Systems. It may not be made public or reproduced except that the Customer may make copies for use solely in installation, maintenance, and operation of products supplied by Maclean Power Systems.

NO. CEA3887-2



NOTES:

1. MATERIAL - DUCTILE IRON GRADE 654512  
FINISH - HOT DIP GALVANIZED
2. CATALOG NO. - UGA-88-8
3. ULTIMATE STRENGTH - 35,000 LBS.
4. FOR USE ON 8" THROUGH 16" DIA. POLES

NO.	DATE	DESCRIPTION	BY	CKD

REVISIONS



**MACLEAN POWER SYSTEMS**  
A Maclean-fogg Company

GUY ATTACHMENT  
CAT. NO. UGA-88-8

DATE: 3/27/12	SCALE:	NO. CEA3887-2	R/0	SH.1 OF 1
BY: DEB	BY:	BY:		