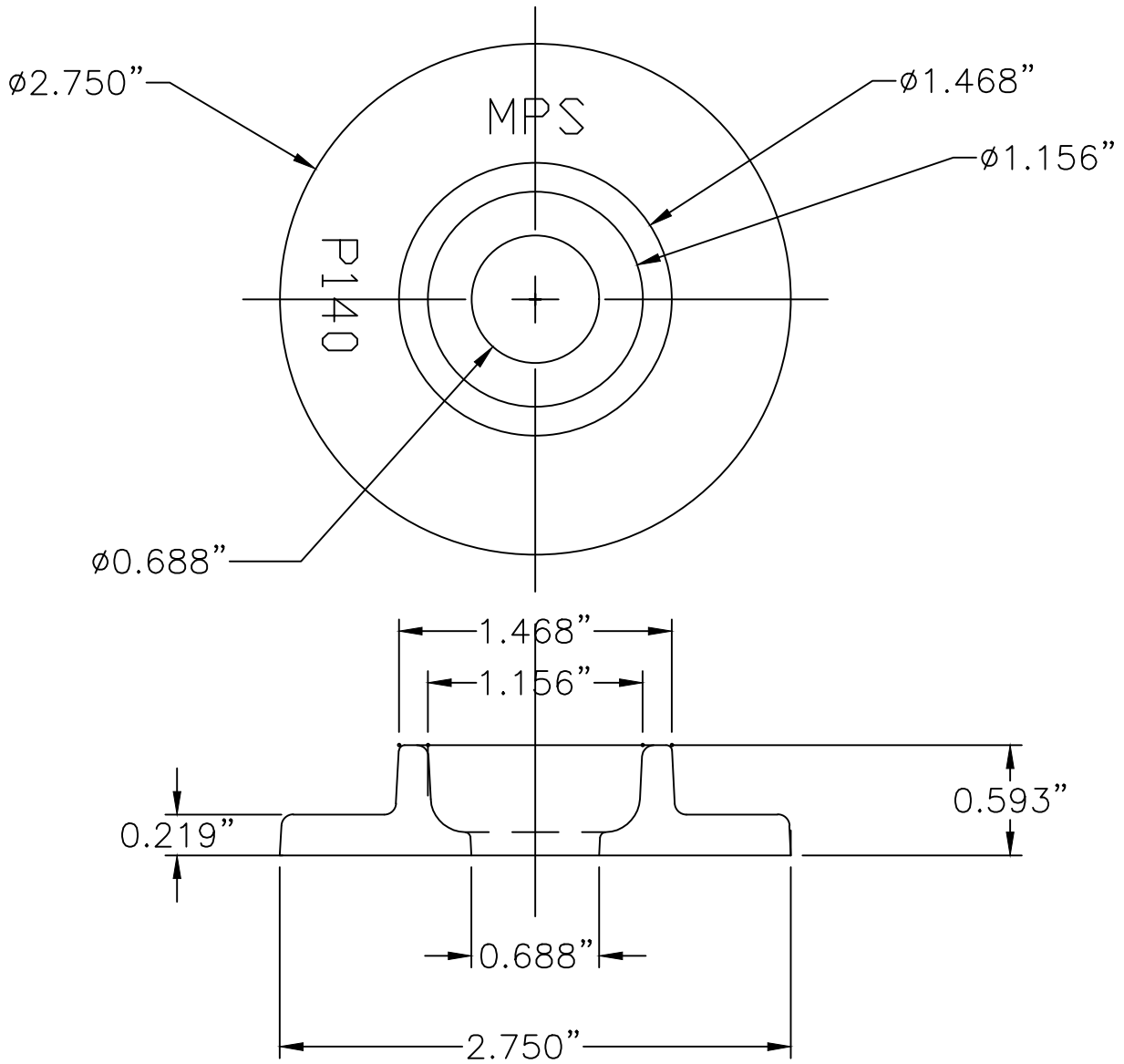


ITEM NO.	PART NO.	CAT. NO.	DESCRIPTION	DWG. NO.
1	P637796C	J800J	ADAPTER PIN HOLE	1-6321C



**NOTES:**

1. MATERIAL:  
DUCTILE IRON 654512
2. FINISH:  
HOT DIP GALVANIZED PER ASTM A153
3. DIMENSIONS IN INCHES
4. ESTIMATED WEIGHT: 0.35 LBS.

NO.	DATE	DESCRIPTION	BY	CKD
2	6/28/21	ADDED BOM TABLE	EDB	
1	5/26/20	ELIMINATED GATE, THICKNESS WAS .146"	KMK	

REVISIONS



**MACLEAN POWER SYSTEMS**  
A Maclean-fogg Company

PIN HOLE ADAPTER  
CATALOG NO. J800

DATE: 04/24/20	SCALE:	NO. CEA4595	R/2	SH.1 OF 1
DWN. BY: KMK	CHK. BY:	APP. BY:		