

REVISIONS

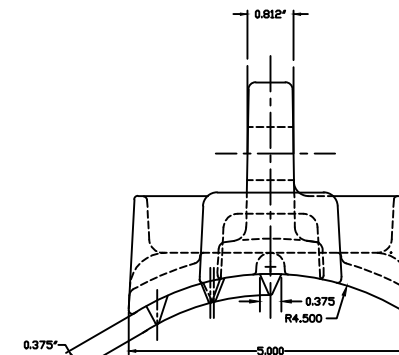
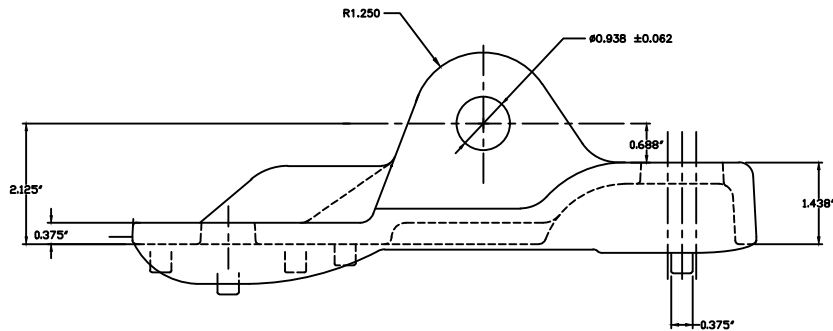
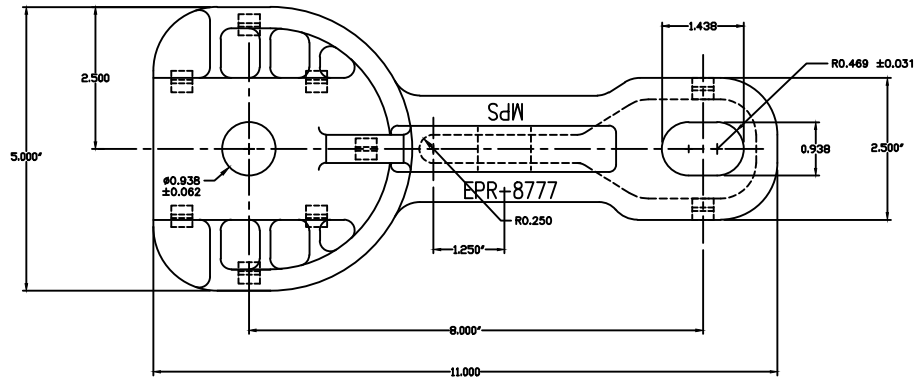
NO.	DATE	DESCRIPTION	BY	CHKD
1	03-06-14	RELEASED ECO NO. 11208		
2	11-27-18	UPDATED TO MC952, REV. 4, ADDED "LT"	WCL	

NOTES:

- 1.0 MATERIAL—DUCTILE IRON PER ASTM A-536, GRADE 654512, BHN 156-217.
- 2.0 COATING—HOT DIP GALVANIZE PER ASTM A-153.
- 3.0 FOR LESS TEETH, USE CAT. NO. EPR8777LT.
- 4.0 DIMENSION IN INCHES.

LOAD RATINGS:

- 90°-----36,000 LBS
 45°-----40,000 LBS



MACLEAN POWER SYSTEMS
 A Maclean-fogg Company

POLE EYE PLATE
 EPR-8777& EPR8777LT

ENG. REF.

This information is confidential and is the property of Maclean Power Systems. It may not be made public or reproduced except that the Customer may make copies for use solely in installation, maintenance and operation of products supplied by Maclean Power Systems.

DATE: 03/06/14	SCALE: NONE	NO.	CEB-1038	R / 2	SH 1
DRAWN BY: RHJ	CHKD BY:	APP BY:			