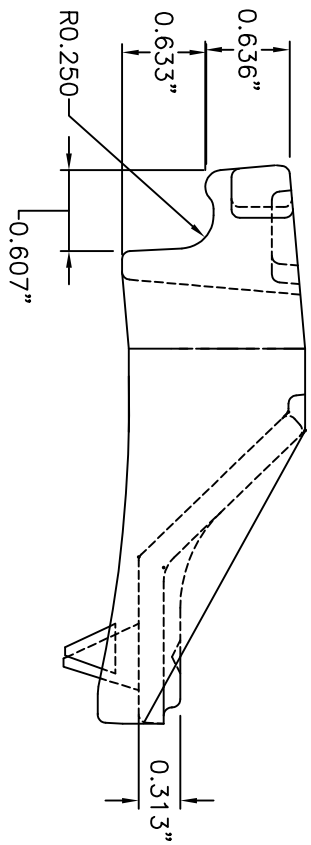
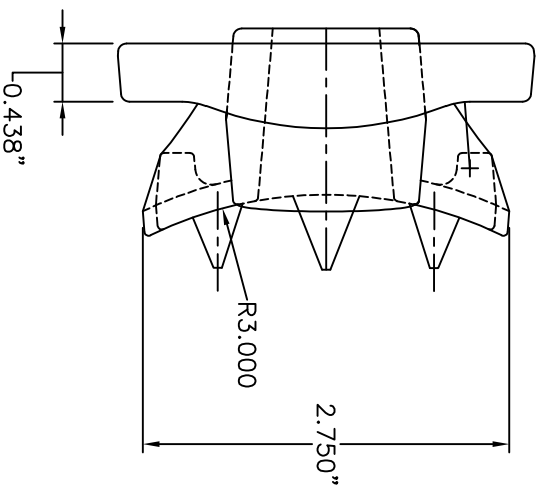
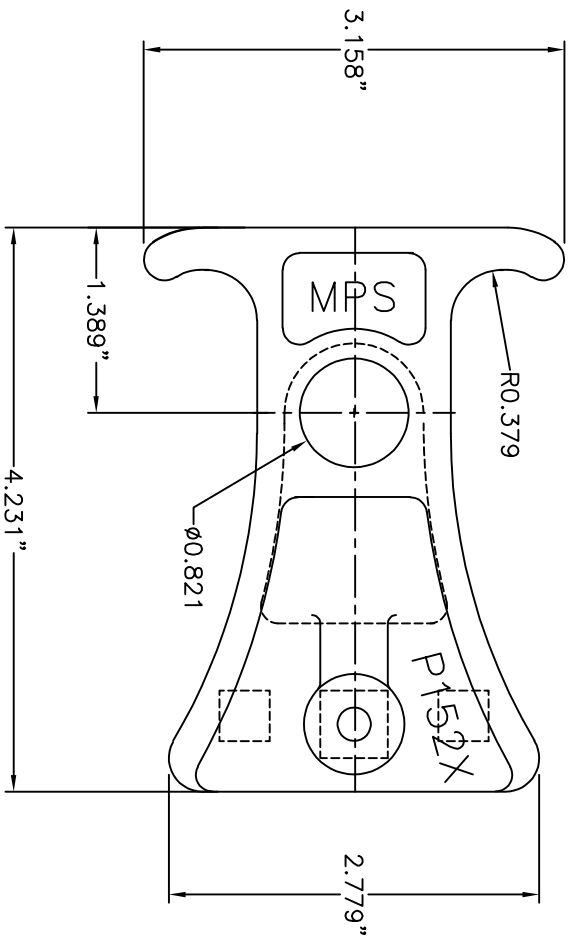


REVISIONS


NO.	DATE	DESCRIPTION	BY	CHKD
1	6/28/21	ADDED BOM TABLE	EDB	

ITEM NO.	PART NO.	CAT. NO.	DESCRIPTION	DWG. NO.
1	P637046C	P152XC	GUY HOOK	PB2099C



NOTES:

- 1.0 MATERIAL-DUCTILE IRON GRADE 654512.
- 2.0 COATING-HOT DIP GALVANIZE PER ASTM A-153.
- 3.0 PART NO. - P152X, (F392705)
- 4.0 EST. WEIGHT - 0.98 LBS.
- 5.0 DIMENSION IN INCHES.


Maclean Power Systems
BIRMINGHAM, ALABAMA

DRAWN BY: JSC APPROVED BY: _____ SCALE: 1"=1"
 CHECKED BY: _____
 DATE: 06/02/69 DRAWING NO: CEB-1114-2 R/1

Rated Strength: 20,050 Lbs.

ENG. REF.

This information is confidential and is the property of Maclean Power Systems. It may not be made public or reproduced except that the design and operation of products supplied by Maclean Power Systems.