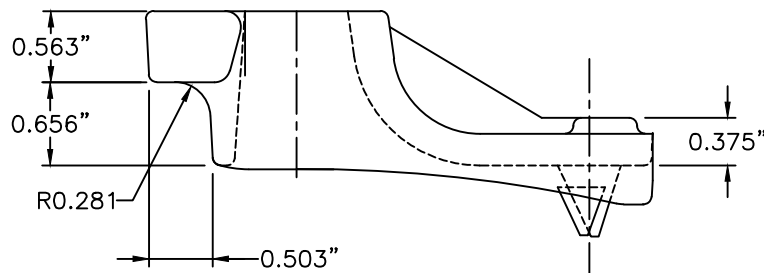
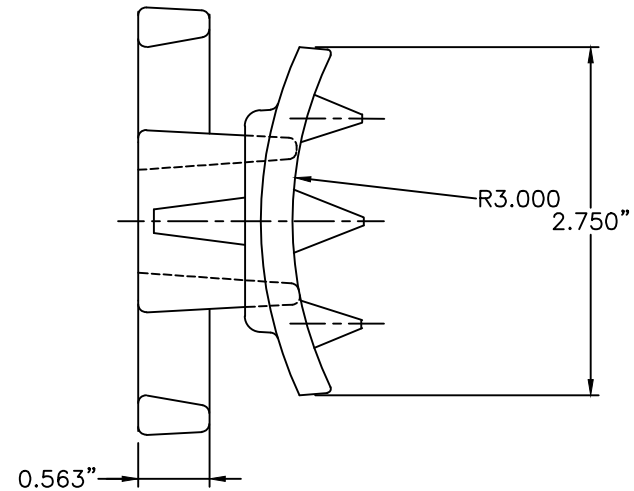
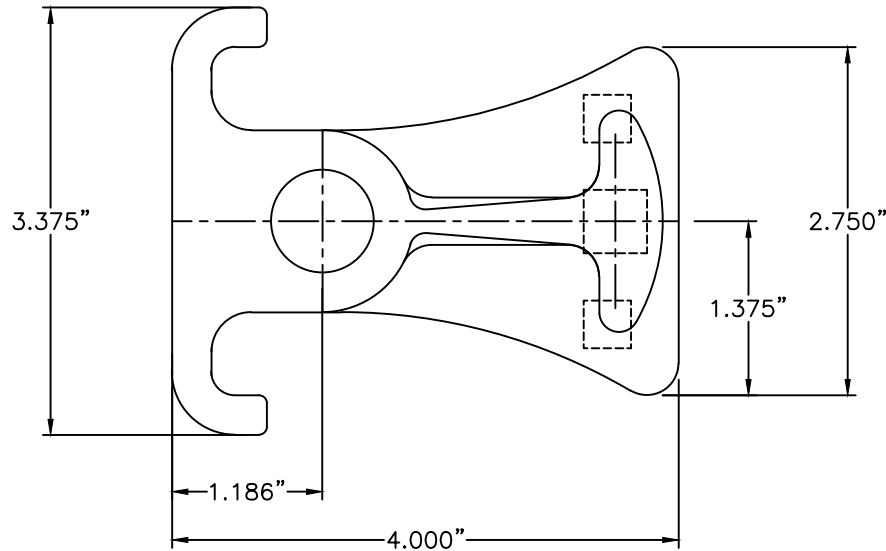


REVISIONS

NO.	DATE	DESCRIPTION	BY	CKD
1	6/28/21	ADDED BOM TABLE	EDB	

ITEM NO.	PART NO.	CAT. NO.	DESCRIPTION	DWG. NO.
1	P63706C	P157XC	JS-G-56X2 GUY HOOK	PB2089C




NOTES:

- 1.0 MATERIAL-DUCTILE IRON GRADE 654512.
- 2.0 COATING-HOT DIP GALVANIZE PER ASTM A-153.
- 3.0 PART NO. - P157X, (F3926904)
- 4.0 EST. WEIGHT - 0.98 LBS.
- 5.0 DIMENSION IN INCHES.

ENG. REF.

This information is confidential and is the property of Maclean Power Systems. It may not be made public or reproduced except that the Customer may make copies for use solely in installation, maintenance, and operation of products supplied by Maclean Power Systems.

 Maclean Power Systems BIRMINGHAM, ALABAMA		
DRAWN BY: JSG	APPROVED BY: CHECKED BY:	SCALE: 1"=1"
GUY HOOK, P157X Rated Strength:20,050 Lbs.		
DATE: 06/02/69	DRAWING NO: CEB-1114	R/1