

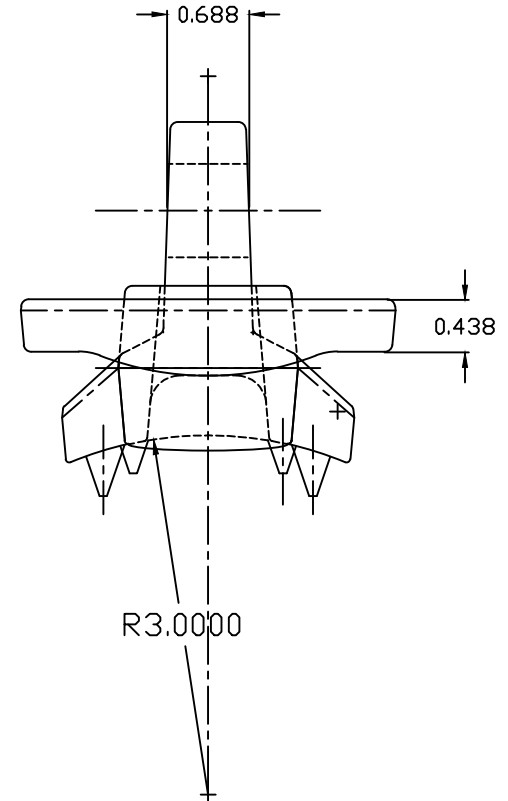
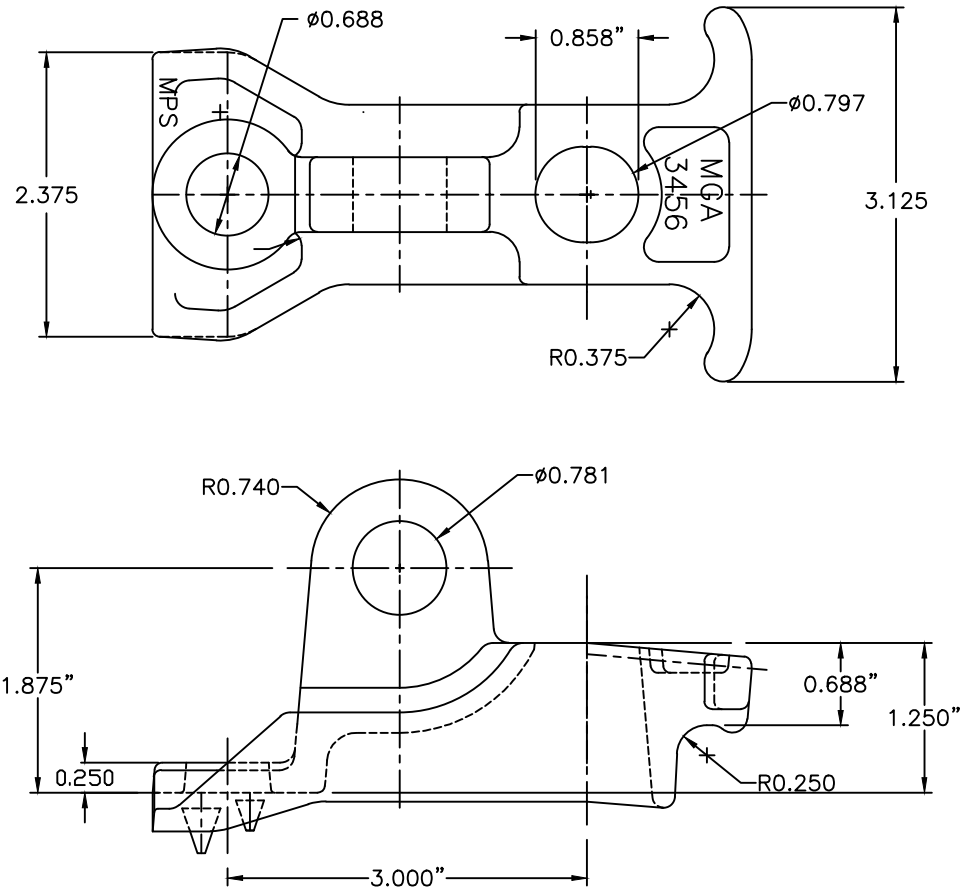
REVISIONS


NO.	DATE	DESCRIPTION	BY	CKD
1	6/28/21	ADDED BOM TABLE	EDB	

NOTES:

- 1.0 MATERIAL-DUCTILE IRON PER ASTM A-536,
- 2.0 COATING-HOT DIP GALVANIZE PER ASTM A-153.
- 3.0 PART NO. - MGA345-6, (F414025)
LESS TEETH - MGA345-6N, (F413900)
- 4.0 EST. WEIGHT - 1.90 LBS.
- 5.0 DIMENSION IN INCHES.

ITEM NO.	PART NO.	CAT. NO.	DESCRIPTION	DWG. NO.
1	P65657C	MGA3456N-BC	POLE EYE PLATE	PC2084C



 MacLean Power Systems BIRMINGHAM, ALABAMA		
DRAWN BY: WCL	APPROVED BY: WCL	SCALE: 1"=1"
CHECKED BY:		
GUY HOOK, MGA345-6&-6N		
Rated Strength:20,050 Lbs.		
DATE: 03/16/14	DRAWING NO: CEB-1156	R/1

This information is confidential and is the property of Maclean Power Systems. It may not be made public or reproduced except that the Customer may make copies for use solely in installation, maintenance, and operation of products supplied by Maclean Power Systems.

ENG. REF.