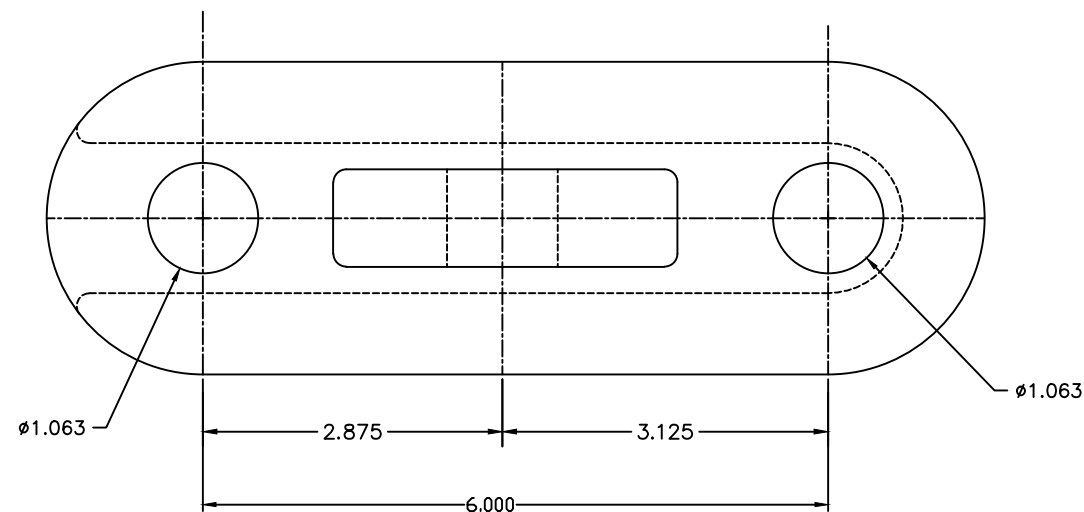


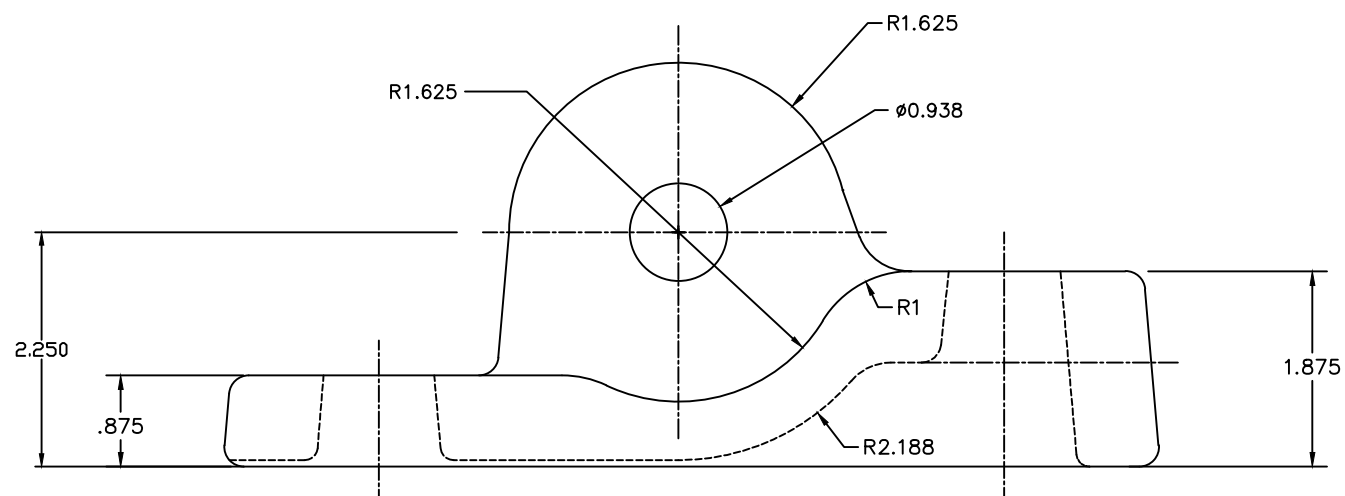
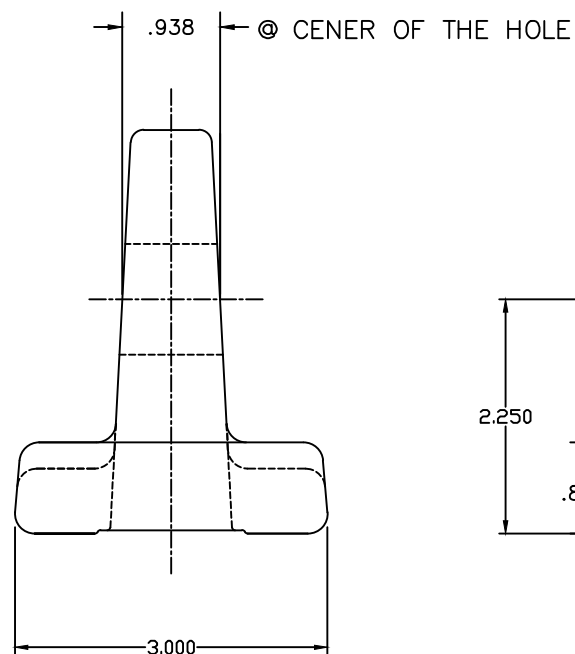
REVISIONS				
NO.	DATE	DESCRIPTION	BY	CKD
1	08/25/15	REDRAWN IN CAD.	WCL	WCL

NOTES:

- 1.0 MATERIAL—DUCTILE IRON PER ASTM A-536, GRADE 654512 BHN 156-217. MATERIAL CERTIFICATION REQUIRED.
- 2.0 COATING—HOT DIP GALVANIZE PER ASTM A-153.
- 3.0 CAT NO.—EPR-88-7
- 4.0 WEIGHT - 7.994 LBS.
- 5.0 DIMENSION IN INCHES.




STRENGTH RATING:
 45° - 45,000 LBS.
 90° - 40,000 LBS.



ENG. REF.

This information is confidential and is the property of Maclean Power Systems. It may not be made public or reproduced except that the Customer may make copies for use solely in installation, maintenance, and operation of products supplied by Maclean Power Systems.

 MacLean Power Systems BIRMINGHAM, ALABAMA		
DRAWN BY: LB	APPROVED BY:	SCALE: NONE
	CHECKED BY:	
POLE EYE PLATE EPF-88-7		
DATE: 06/01/69	DRAWING NO: CEB-1159-1	R/1