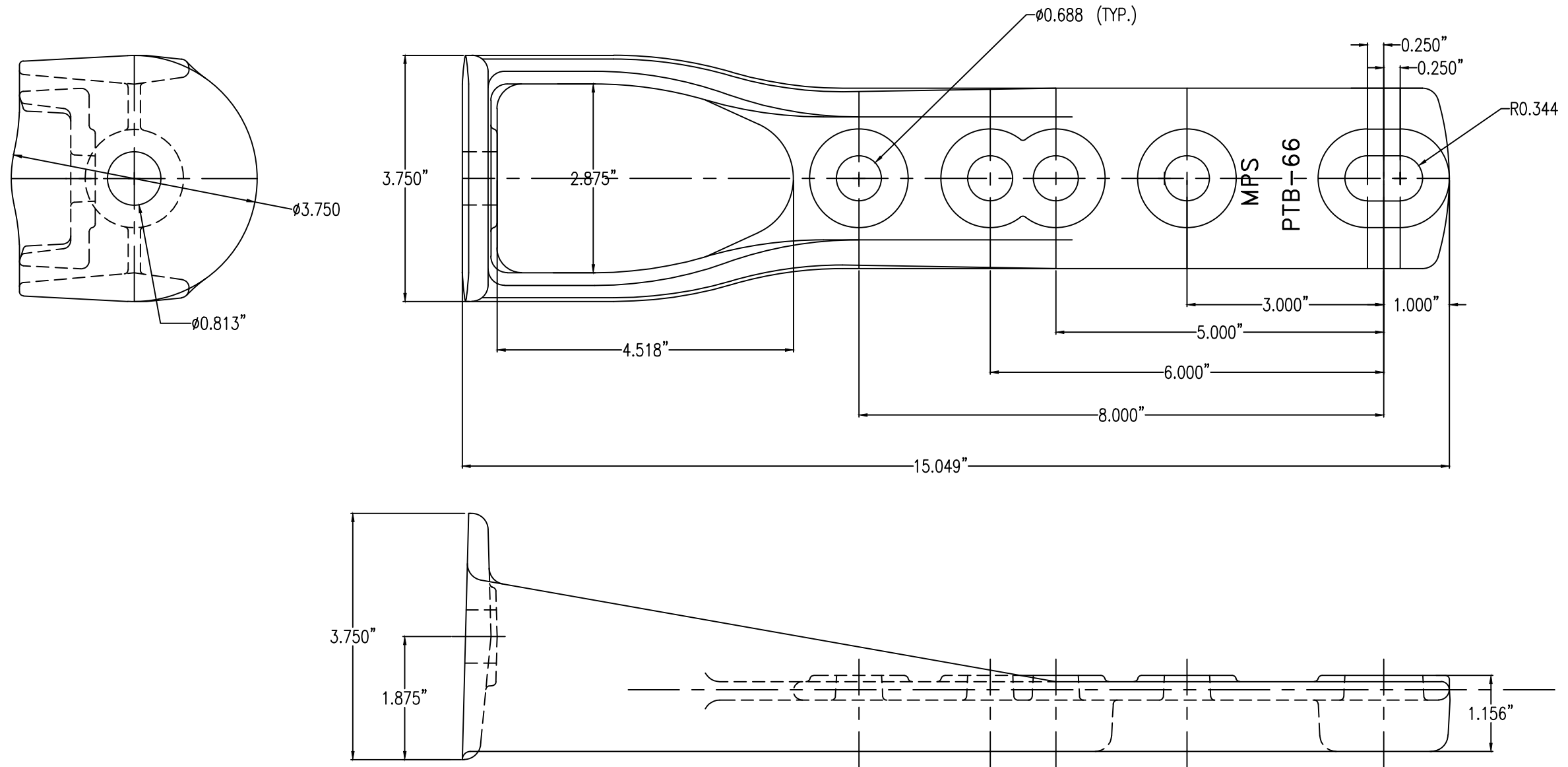


REVISIONS

NO.	DATE	DESCRIPTION	BY	CKD



NOTES:

1. MATERIAL— DUCTILE IRON GRADE 654512.
HOT DIP GALV. PER ASTM A-153
2. FOR POST TYPE INS. THROUGH 55KV.

This information is confidential and is the property of Maclean Power Systems. It may not be made public or reproduced except that the Customer may make copies for use solely in installation, maintenance, and operation of products supplied by Maclean Power Systems.



MACLEAN POWER SYSTEMS
A Maclean-fogg Company

POLE TOP BRACKET
CAT. NO. PTB-66

ENG. REF.

DATE: 12/17/70	SCALE: NTS	NO. CEA-1303	R / SH. 1
DWN. BY: LB	CKD. BY:	APR. BY:	0 / OF 1