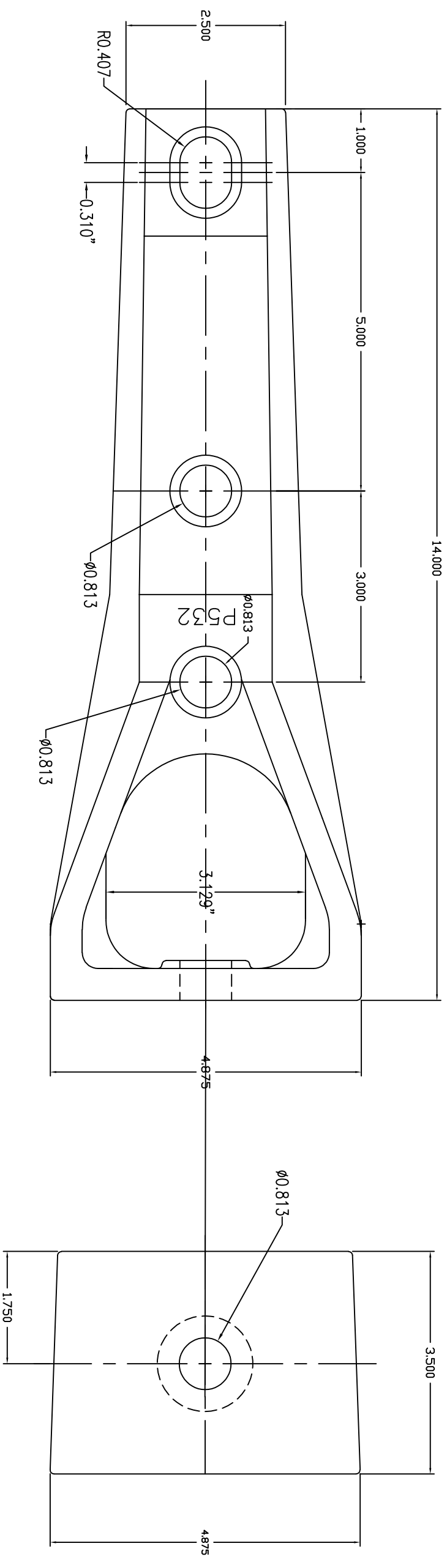


REVISIONS

NO.	DATE	DESCRIPTION	BY	CKD



- NOTES:
1. MATERIAL— DUCTILE IRON GRADE 654512.
HOT DIP GALV. PER ASTM A-153
 2. FOR POST TYPE INS. THROUGH 55KV.

This information is confidential and is the property of Maclean Power Systems. It may not be made public or reproduced except that the Customer may make copies for use solely in installation, maintenance, and operation of products supplied by Maclean Power Systems.



POLE TOP BRACKET
CAT. NO. P532

DATE: 12/17/70	SCALE: NTS	NO.	R
DMN: LB	CHKD: APR	CEA-1313	0
BY: BR	BY:		SH 1 OF 1

ENG. REF.