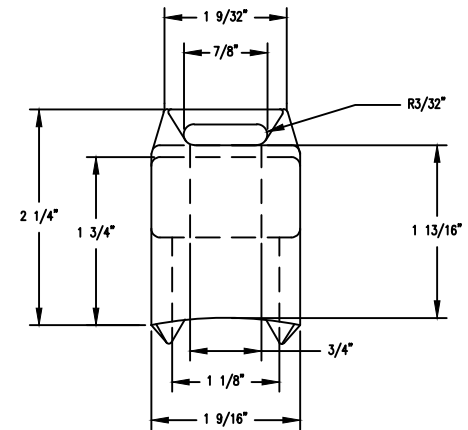
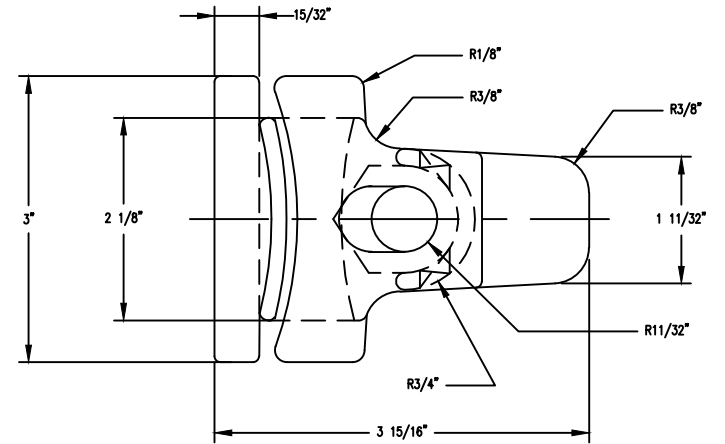
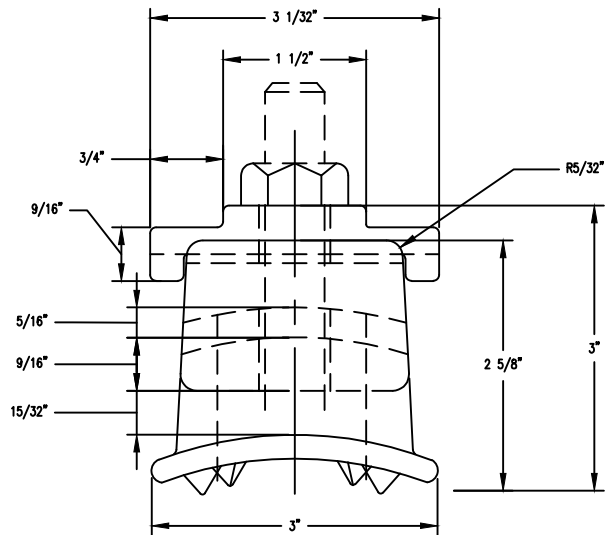
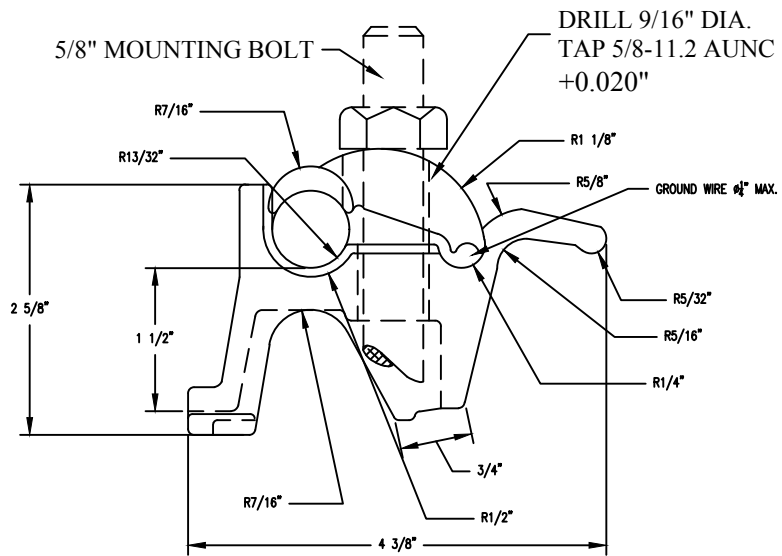


REVISIONS				
NO.	DATE	DESCRIPTION	BY	CKD
1.	8/2/88	ADDED KEEPER & GROOVE LENGTH	CH	



- NOTES:
1. MATERIAL: BODY & CAP  
A356 T6 ALUMINUM
  2. CATALOG MBA-72
  3. CABLE RANGE  
GROUND-TROUGH 1/4"  
MESSENGER- .25" - .72"

BETHEA POWER PRODUCTS PELHAM, ALABAMA		A MacLean Power Systems Co.	
MBA-72 SUSPENSION BRACKET			
DATE: 12/11/81	SCALE: 1:1	NO.	CEB-1841
DRAWN: DPM	CHKD: BT	APR. BY:	
			R 1 OF 1

ENG. REF.