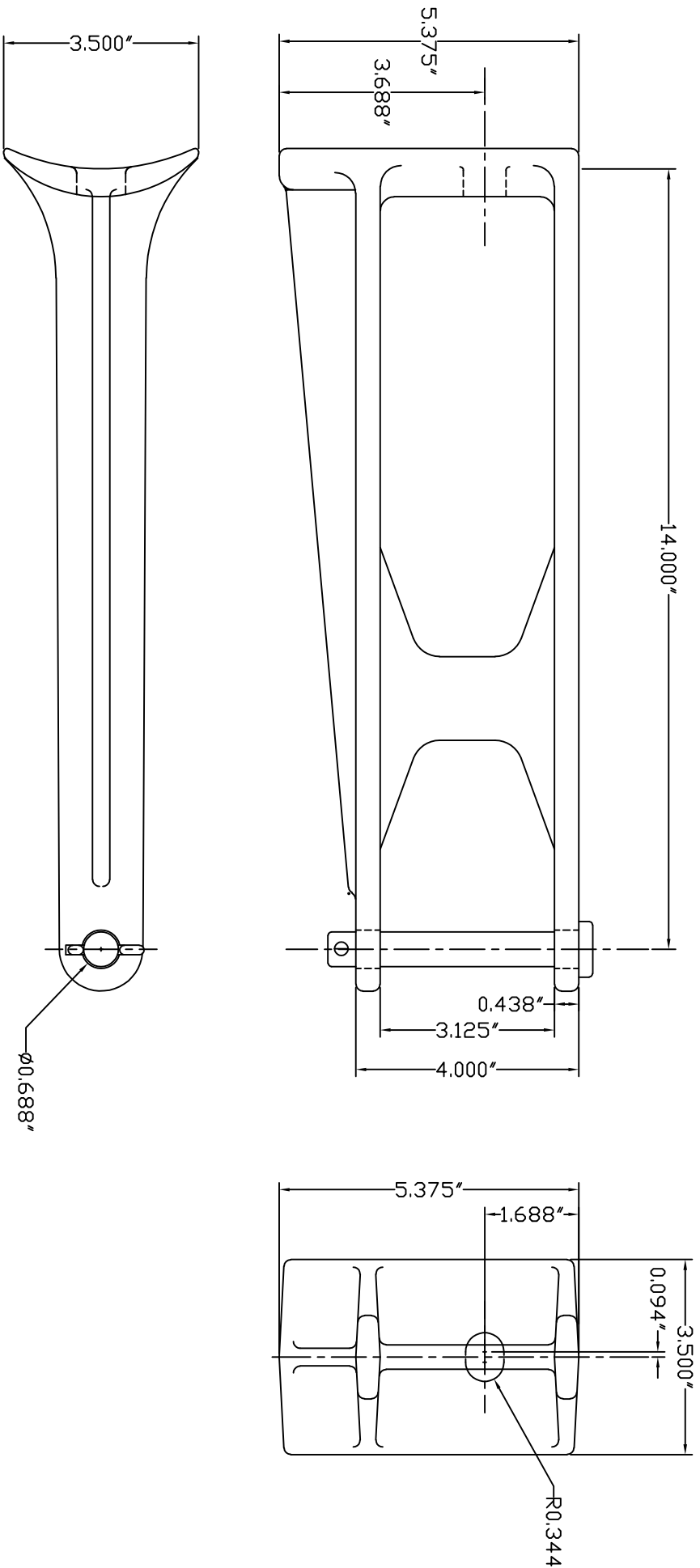



NOTES:

- 1.0 MATERIAL – BRACKET: A-356-T6 ALUMINUM ALLOY
PIN: STEEL, HOT DIP GALVANIZED PER ASTM A-153
COTTER KEY: STAINLESS STEEL
- 2.0 DIMENSIONS IN INCHES



NO.	DATE	REVISIONS	DESCRIPTION	BY
2	04-28-10		ADDED PIN AND COTTER	KMK
1	04-15-10		CHANGED CENTER RIB TO REFLECT PART CHANGE	KMK

 MacLean Power Systems BIRMINGHAM, ALABAMA	
DRAWN BY: KMK APPROVED BY: _____ CHECKED BY: _____	SCALE: NONE
ANCB-14 CORNER BRACKET	
DATE: 01/16/08	DRAWING NO: CEB-3677
R / 2	