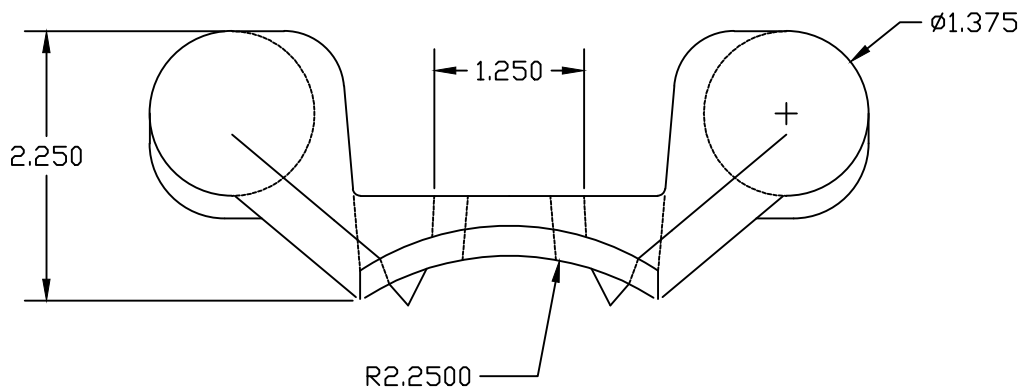
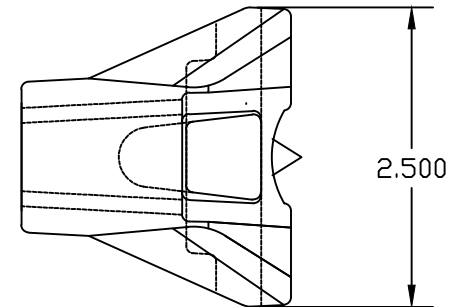
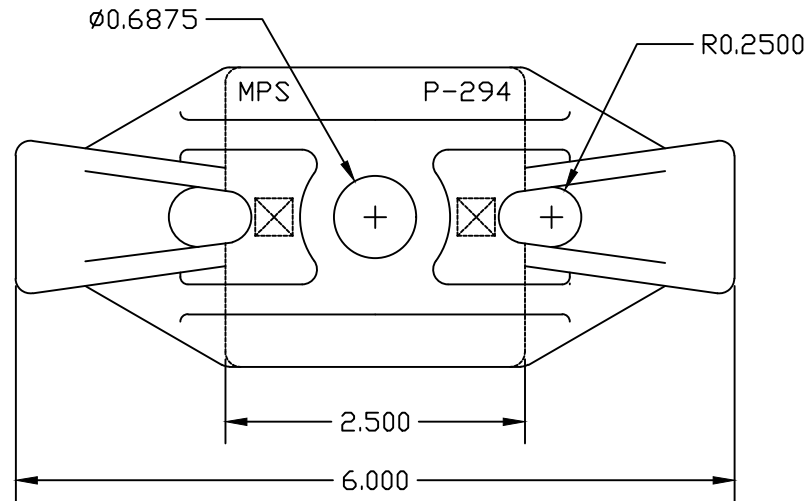


REVISIONS


NO.	DATE	DESCRIPTION	BY	CKD
1	06/28/21	ADDED BOM TABLE	EDB	

ITEM NO.	PART NO.	CAT. NO.	DESCRIPTION	DWG. NO.
1	P63753N	P294N-BC	JS-DD-55BLK	PB1011C



NOTES:

- 1.0 MATERIAL-DUCTILE IRON PER ASTM A-536,
- 2.0 COATING-HOT DIP GALVANIZE PER ASTM A-153.
- 3.0 PART NO. - P294, (F392810)
- 4.0 EST. WEIGHT - 1.895 LBS.
- 5.0 DIMENSION IN INCHES.

 <b>MacLean Power Systems</b> BIRMINGHAM, ALABAMA		
DRAWN BY: KMK	APPROVED BY: WCL	SCALE: 1"=1"
CHECKED BY:		
DOUBLE THIMBLE DEAD END CAT. NO.: P294		
DATE: 01/22/08	DRAWING NO: CEB-3680	R/1

This information is confidential and is the property of Maclean Power Systems. It may not be made public or reproduced except that the Customer may make copies for use solely in installation, maintenance, and operation of products supplied by Maclean Power Systems.

ENG. REF.