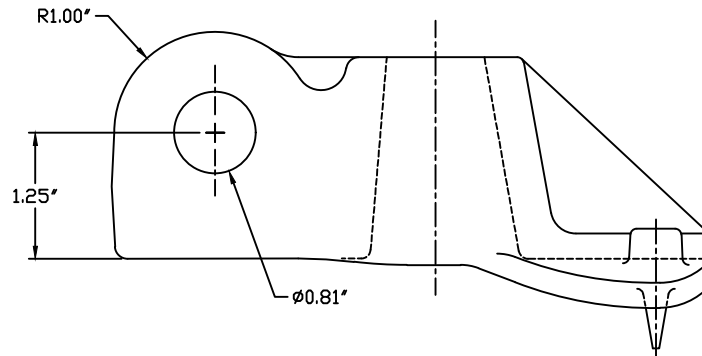
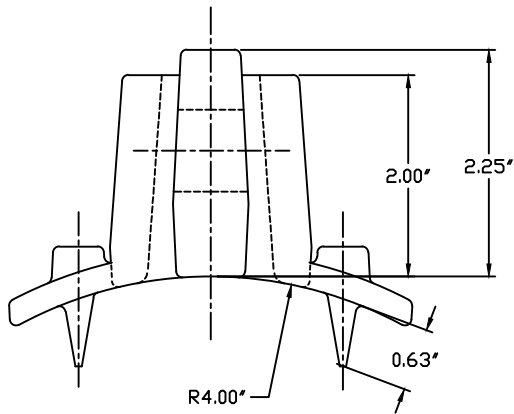
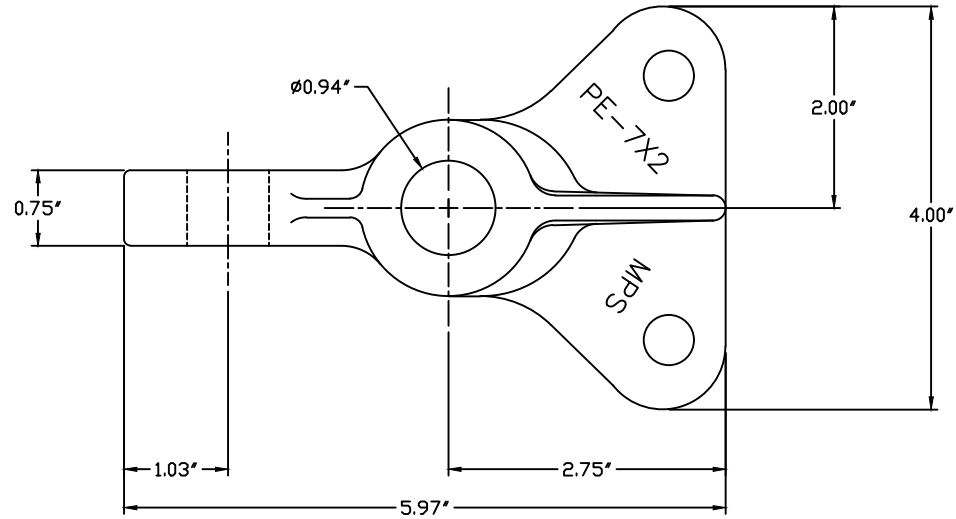


REVISIONS

NO.	DATE	DESCRIPTION	BY	CKD



NOTES:

1. MATERIAL- DUCTILE IRON GRADE 654512. HOT DIP GALV. PER ASTM A-153
2. ULTIMATE STRENGTH - 21,000 LBS.
3. MOUNTING BOLT - 3/4" OR 7/8"

This information is confidential and is the property of Maclean Power Systems. It may not be made public or reproduced except that the Customer may make copies for use solely in installation, maintenance, and operation of products supplied by Maclean Power Systems.



MACLEAN POWER SYSTEMS
A Maclean-fogg Company

POLE EYE PLATE
CATALOG NO. PE-7X2

DATE: 06-09-08	SCALE: NTS	NO.	R	SH. 1
DRAWN BY: JWF	CHKD. BY:	APP. BY:	0	DF. 1

CEB-3689

ENG. REF.