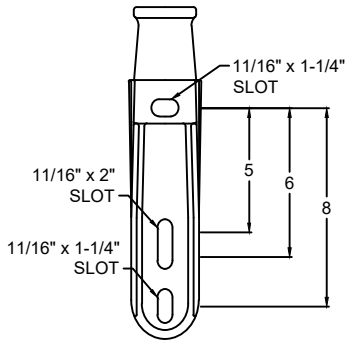
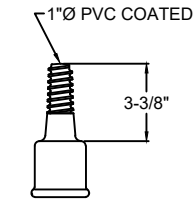


REVISIONS

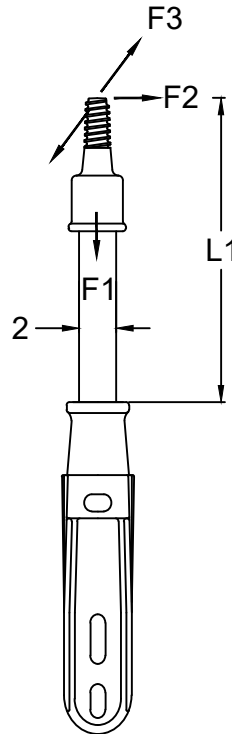
NO.	DATE	DESCRIPTION	BY	CKD
1	03/24/14	ADDED 48" SIZE	WCL	WCL
2	03/28/14	ADDED 60" SIZE	WCL	WCL
3	12/10/15	ADDED 45" SIZE	WCL	WCL
4	12/15/15	ADDED 5.6&8" DIM. CHG'D "A" TO "L1"	WCL	WCL
5	11/15/21	CHANGED PAINT OPTION TO VEIL	BHB	



BASE VIEW



END FITTING



CATALOG NUMBER		LENGTHS (IN)		ULTIMATE MECHANICAL STRENGTHS (LBS)		
POLYURETHANE COATED SERIES	SILICONE RUBBER COATED SERIES	L1	VERTICAL	LONGITUDINAL	TRANSVERSE	
G1HAR112AS1	G1HAR112AS1SC	12	2500	2500	2500	
G1HAR118AS1	G1HAR118AS1SC	18	2500	2150	2150	
G1HAR124AS1	G1HAR124AS1SC	24	2500	1750	1750	
G1HAR130AS1	G1HAR130AS1SC	30	2500	1350	1350	
G1HAR136AS1	G1HAR136AS1SC	36	2500	1100	1100	
G1HAR145AS1	G1HAR145AS1SC	45	2500	950	950	
G1HAR148AS1	G1HAR148AS1SC	48	2500	900	900	
G1HAR160AS1	G1HAR160AS1SC	60	2500	700	700	

NOTES:

- 1.0 MATERIAL
 - 1.1 BASE - ALUMINUM, A356-T6
 - 1.2 END FITTING - ALUMINUM, A356-T6
 - 1.3 ROD - FIBERGLASS
- 2.0 FINISH
 - 2.1 BASE - NONE
 - 2.2 END FITTING - NONE
 - 2.3 ROD - ULTRAVIOLET PROTECTIVE VEIL COATING, GRAY (OPTIONAL) - VULCANIZED SILICONE RUBBER, GRAY
- 3.0 DIMENSIONS IN INCHES

This information is confidential and is the property of Maclean Power Systems. It may not be made public or reproduced except that the Customer may make copies for use solely in installation, maintenance, and operation of products supplied by Maclean Power Systems.



MACLEAN POWER SYSTEMS
A Maclean-fogg Company

G1HAR1-"L"-AS1 SERIES
SINGLE PHASE STRAIGHT PIN BRACKET

ENG. REF.

DATE 2-17-11	SCALE 1:1	NO.	CEB-3778	R 5	SH
DWG. BY: KK	CHK. BY: WCL				