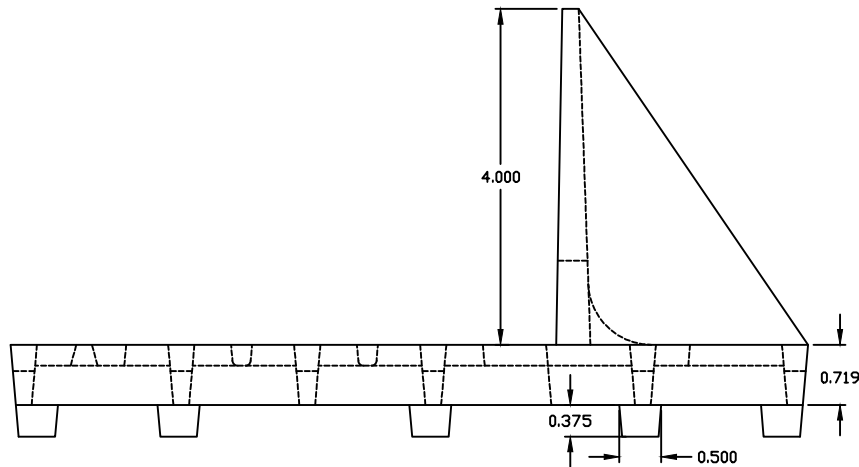
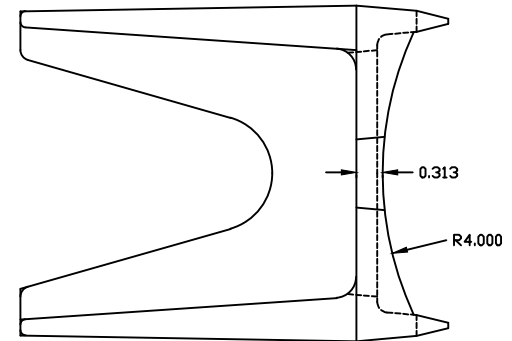
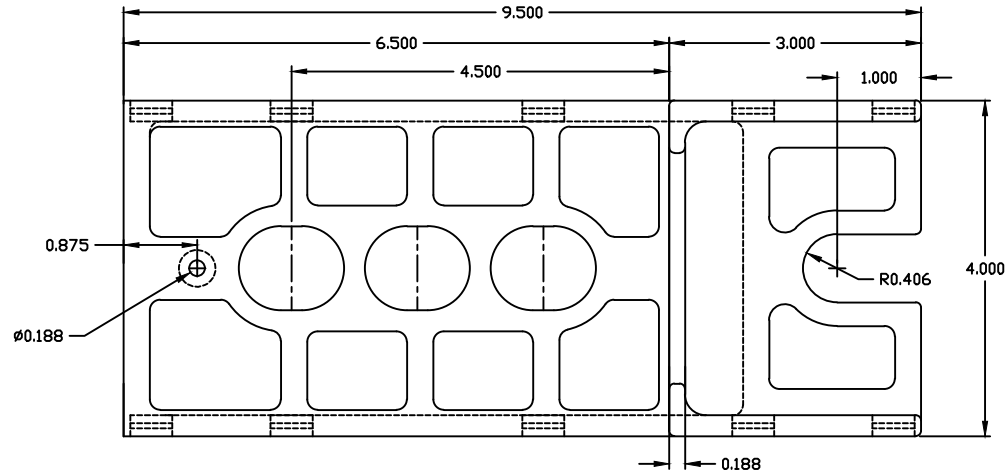


REVISIONS

NO.	DATE	DESCRIPTION	BY	CHKD



NOTES:

- 1.0 MATERIAL—DUCTILE IRON, GRADE 654512
- 2.0 COATING—HOT DIP GALVANIZE
- 3.0 CATALOG NO.—PX249G
- 4.0 EST. WEIGHT — 4.460 LBS.



MACLEAN POWER SYSTEMS
A Maclean-fogg Company

CROSSARM GAIN
PART. NO. PX249G

DATE: 11/14/11	SCALE: NTS	NO.	CEB-3825	R/0	SHL 1 OF 1
DWN: JWM	CHK: JWC	APP: JWC			

ENG. REF.

This information is confidential and is the property of Maclean Power Systems. It may not be made public or reproduced except that the Customer may make copies for use solely in installation, maintenance, and operation of products supplied by Maclean Power Systems.