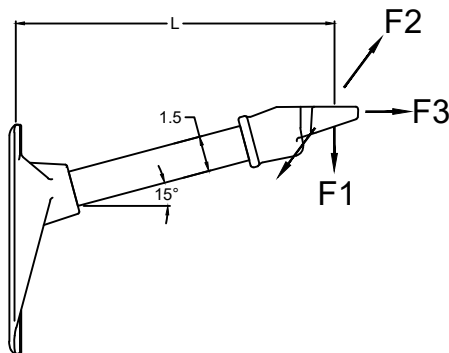
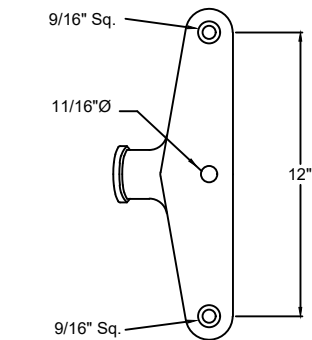


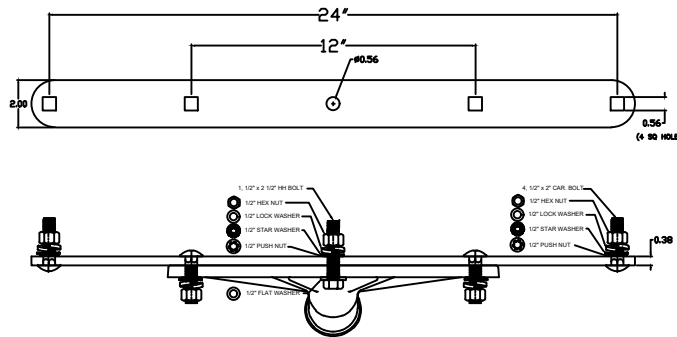
REVISIONS				
NO.	DATE	DESCRIPTION	BY	CHK
1	01/06/16	ADDED "ADW" & "ADWC" OPTION.	WCL	WCL
2	04/28/16	ADDED ADBSH & ADBSHC SUFFIX	WCL	
3	10/17/17	ADDED 16" OPTION.	MBG	
4	05/21/20	UPDATED STAR WASHER VIEW	EDB	MBG
5	11/16/21	CHANGED PAINT OPTION TO VEIL	BHB	



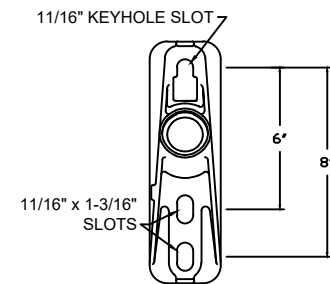
CATALOG NUMBER		LENGTHS (IN)		ULTIMATE MECHANICAL STRENGTHS (LBS)		
POLYURETHANE COATED SERIES	SILICONE RUBBER COATED SERIES	L1	VERTICAL F1	LONGITUDINAL F2	TRANSVERSE F3	
G1MDA312AD	G1MDA312ADSC	12	1800	1400	10000	
G1MDA315AD	G1MDA315ADSC	15	1500	1150	10000	
G1MDA316AD	G1MDA316ADSC	16	1400	1050	10000	
G1MDA318AD	G1MDA318ADSC	18	1200	900	10000	
G1MDA321AD	G1MDA321ADSC	21	1050	800	10000	
G1MDA324AD	G1MDA324ADSC	24	900	700	10000	



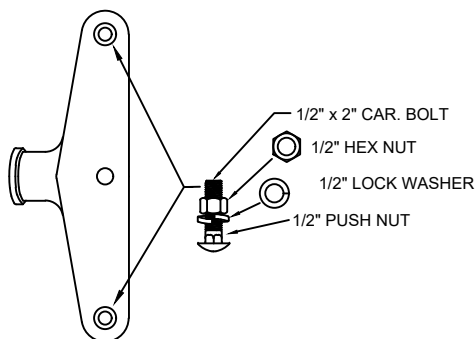
END FITTING VIEW - "AD" OR "ADSC"



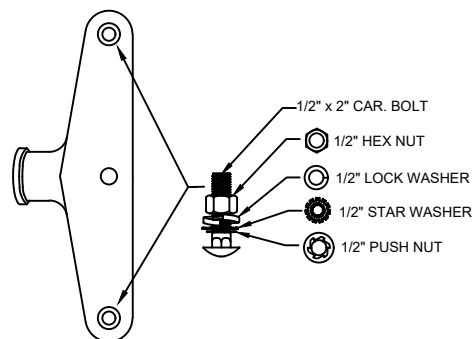
END FITTING VIEW - ADBSH, - ADBSHC SUFFIX
W/ 3/8" X 2" X 25.5" STEEL STRAP & HDW



BASE VIEW



END FITTING VIEW - "ADB" OR "ADBC"



END FITTING VIEW - "ADW" OR "ADWC"

NOTES:

- 1.0 MATERIAL
 - 1.1 BASE - DUCTILE IRON GRADE 654512
 - 1.2 END FITTING - ALUMINUM, A356-T6
 - 1.3 ROD - FIBERGLASS
- 2.0 FINISH
 - 2.1 BASE - HOT DIP GALVANIZED PER ASTM-A-153
 - 2.2 END FITTING - NONE
 - 2.3 ROD - ULTRAVIOLET PROTECTIVE VEIL COATING, GRAY (OPTIONAL) - VULCANIZED SILICONE RUBBER, GRAY
- 3.0 DIMENSIONS IN INCHES

MACLEAN POWER SYSTEMS
A Maclean-fogg Company

G1MDA3-"L"-AD SERIES
SINGLE PHASE VERTICAL PIN BRACKET

This information is confidential and is the property of Maclean Power Systems. It may not be made public or reproduced except that the Customer may make copies for use solely in installation, maintenance, and operation of products supplied by Maclean Power Systems.

DATE: 12/19/11	SCALE: 1:1	NO.:	CEB-3852	R/5	SH/DF
DWN: CR	CD: BR	APR: BR			