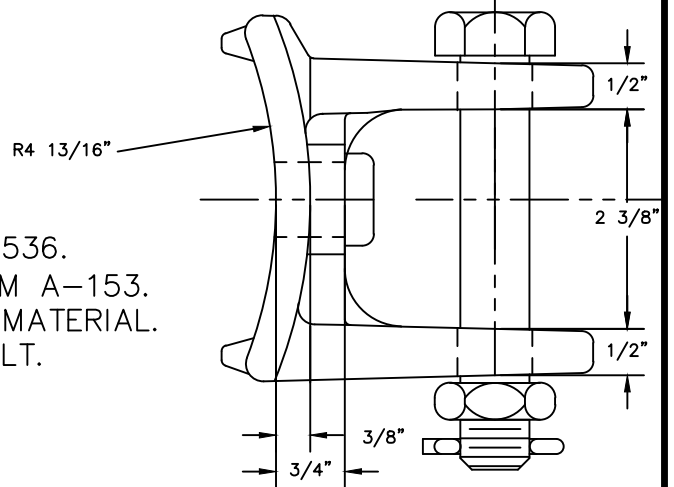
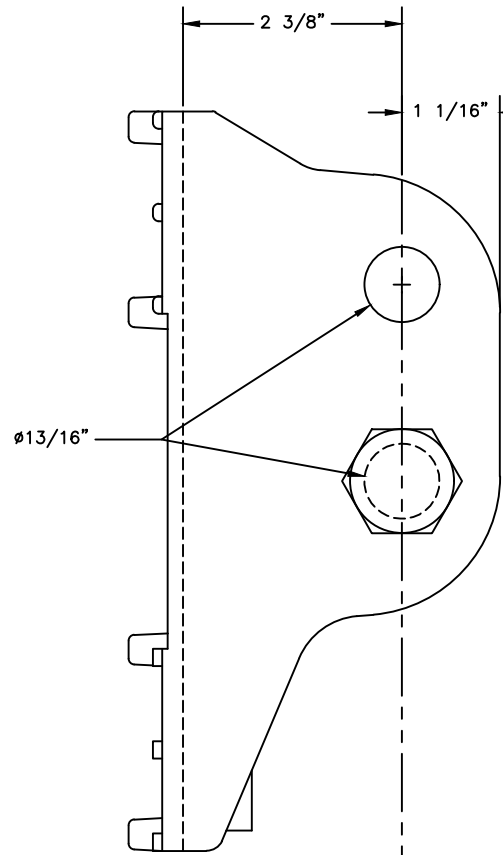
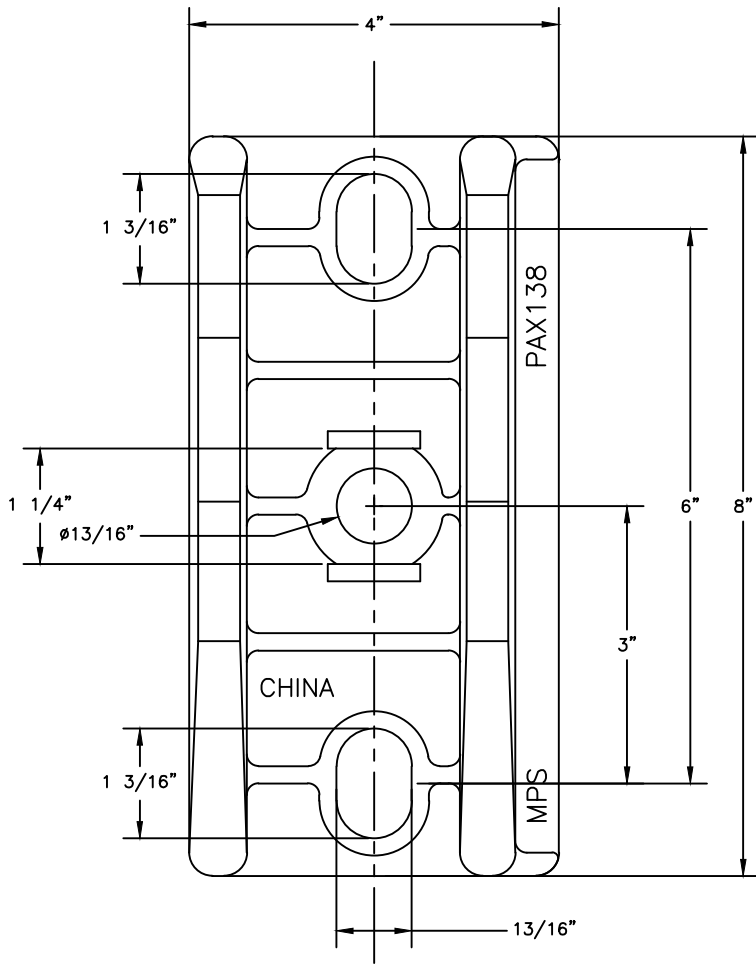


This information is confidential and is the property of Maclean Power Systems. It may not be made public or reproduced except that the Customer may make copies for use solely in installation, maintenance, and operation of products supplied by Maclean Power Systems.

No. CEB-3882



1. MATERIAL—DUCTILE IRON PER ASTM A-536.
2. COATING—HOT DIP GALVANIZE PER ASTM A-153.
3. CONNECTING BOLT — 3/4" DIA. GR. 5 MATERIAL.
4. FOR LESS TEETH USE CAT. # PAX138NLT.
5. WEIGHT — 6.40 LBS.

NO.	DATE	DESCRIPTION	BY	CKD
2	4/27/22	Added bolt, nut, & cotter	BKS	
1	11/21/16	Added BTM view and thickness	wcl	

REVISIONS



**MACLEAN POWER SYSTEMS**  
A Maclean-fogg Company

UNIVERSAL ANGLE CONNECTOR  
CAT. NO. PAX138 & PAX138NLT

DATE: 3/9/12 SCALE: NO. CEB-3882 R/2 SH.1 OF 1  
 DWN. BY: DEB CKD. BY: APR. BY: