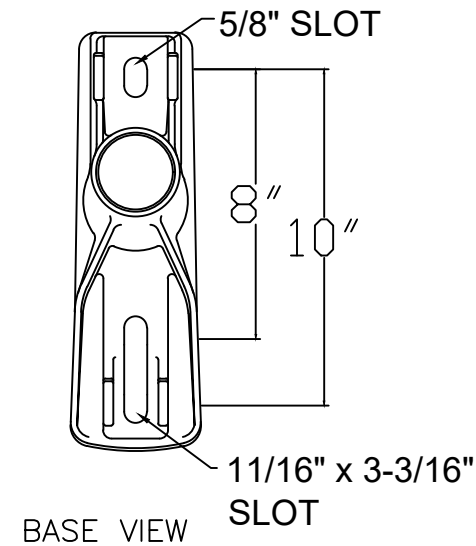
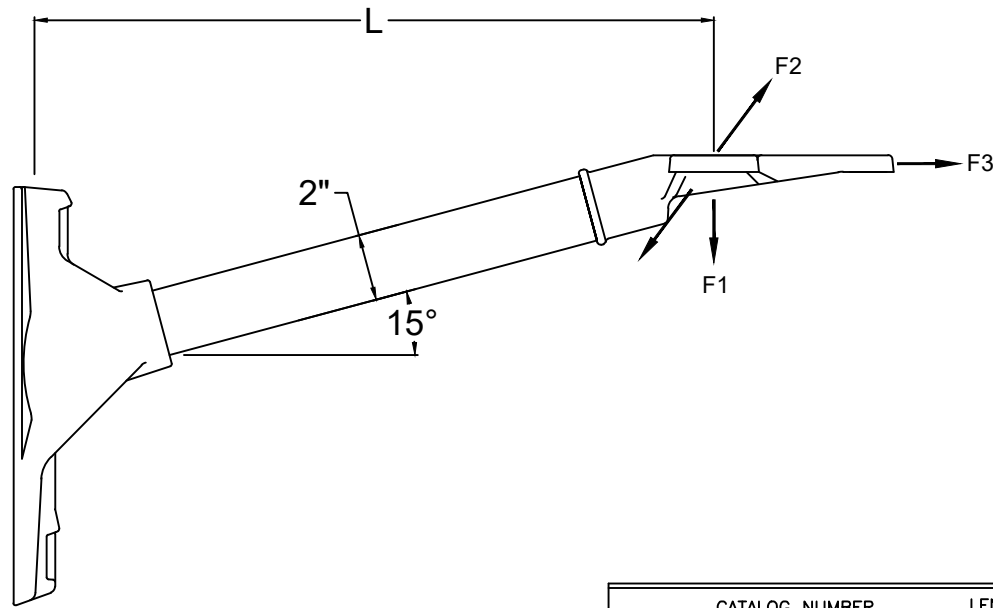
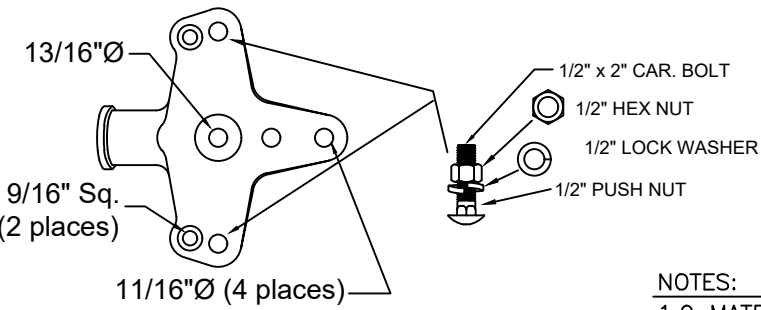
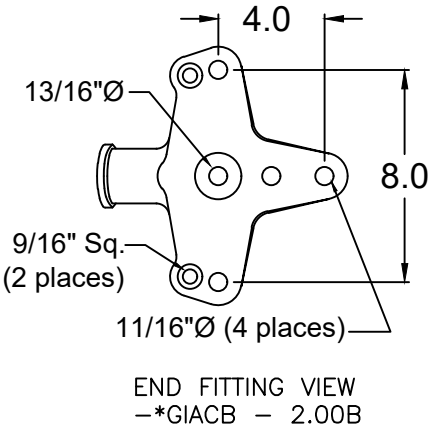


| REVISIONS | | | | |
|-----------|----------|------------------------------------|-----|-----|
| NO. | DATE | DESCRIPTION | BY | CKD |
| 1 | 10/30/12 | ADDED G1HDA512AT | LMV | KK |
| 2 | 5/08/17 | BASE UPDATED: USED TO HAVE 2 SLOTS | MBG | |
| 3 | 11/18/21 | CHANGED PAINT OPTION TO VEIL | EDB | |



| CATALOG NUMBER | | LENGTHS (IN) | ULTIMATE MECHANICAL STRENGTHS (LBS) | | |
|----------------------------|-------------------------------|--------------|-------------------------------------|--------------|------------|
| POLYURETHANE COATED SERIES | SILICONE RUBBER COATED SERIES | L | VERTICAL | LONGITUDINAL | TRANSVERSE |
| G1HDA512AT | G1HDA512ATSC | 12 | 3375 | 2250 | 10000 |
| G1HDA518AT | G1HDA518ATSC | 18 | 2250 | 1500 | 10000 |
| G1HDA521AT | G1HDA521ATSC | 21 | 1900 | 1300 | 10000 |
| G1HDA524AT | G1HDA524ATSC | 24 | 1700 | 1125 | 10000 |
| G1HDA530AT | G1HDA530ATSC | 30 | 1150 | 1000 | 10000 |
| G1HDA536AT | G1HDA536ATSC | 36 | 1000 | 850 | 10000 |
| G1HDA548AT | G1HDA548ATSC | 48 | 775 | 675 | 10000 |

NOTE: "C5" SUFFIX INDICATES DATE STAMP AND PACKED IN SHIPPING CRATE. EX. G1HDA518ATC5.

- NOTES:**
- 1.0 MATERIAL
 - 1.1 BASE - DUCTILE IRON 654512
 - 1.2 END FITTING - ALUMINUM, A356-T6
 - 1.3 ROD - FIBERGLASS
 - 2.0 FINISH
 - 2.1 BASE - HOT DIP GALVANIZED PER ASTM-A-153
 - 2.2 END FITTING - NONE
 - 2.3 ROD - ULTRAVIOLET PROTECTIVE VEIL COATING, GRAY (OPTIONAL) - VULCANIZED SILICONE RUBBER, GRAY
 - 3.0 DIMENSIONS IN INCHES



G1HDA5-"L"-AT SERIES
SINGLE PHASE, ANGLED TRIPLE POSITION BRACKET

This information is confidential and is the property of Maclean Power Systems. It may not be made public or reproduced except that the Customer may make copies for use solely in installation, maintenance, and operation of products supplied by Maclean Power Systems.

| | | | | | |
|---------------|------------|----------|----------|-----|-------|
| DATE: 6-07-12 | SCALE: 1:1 | NO. | CEB-3979 | R/3 | SH/DF |
| OWN: MYL | DES: KK | APR: WCL | | | |

ENG. REF.