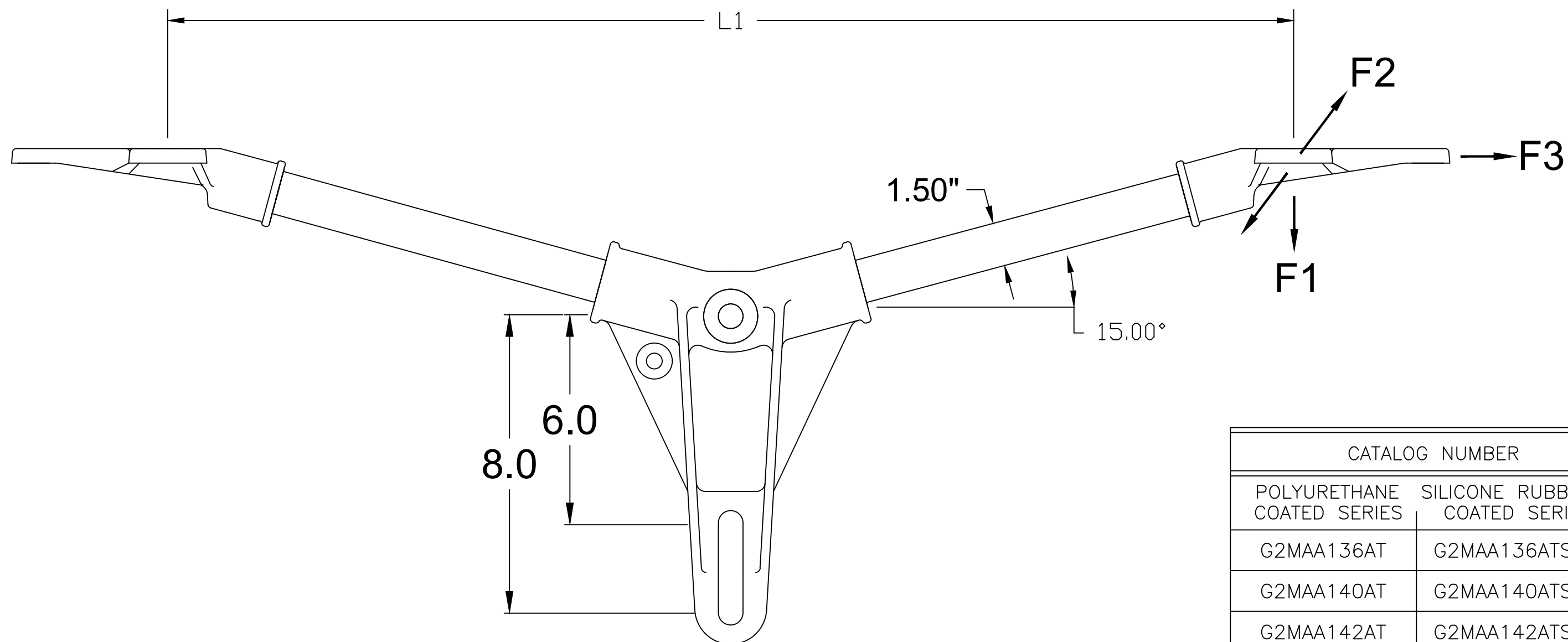
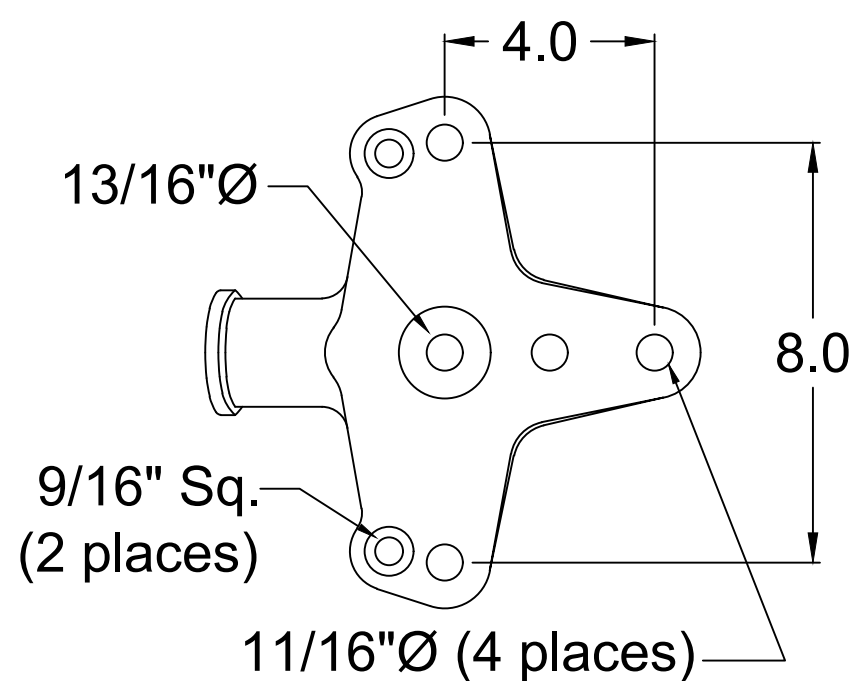


REVISIONS				
NO.	DATE	DESCRIPTION	BY	CKD
1	11/18/21	CHANGED PAINT OPTION TO VEIL	EDB	



CATALOG NUMBER		LENGTHS (IN)	ULTIMATE MECHANICAL STRENGTHS (LBS)		
POLYURETHANE COATED SERIES	SILICONE RUBBER COATED SERIES	L1	VERTICAL	LONGITUDINAL	TRANSVERSE
G2MAA136AT	G2MAA136ATSC	36	1600	1350	10000
G2MAA140AT	G2MAA140ATSC	40	1450	1200	10000
G2MAA142AT	G2MAA142ATSC	42	1375	1150	10000
G2MAA148AT	G2MAA148ATSC	48	1200	1000	10000
G2MAA154AT	G2MAA154ATSC	54	1075	900	10000
G2MAA160AT	G2MAA160ATSC	60	975	800	10000
G2MAA172AT	G2MAA172ATSC	72	800	700	10000




END FITTING VIEW
—*GIACB-11/16M

NOTES:

- 1.0 MATERIAL
 - 1.1 BASE - ALUMINUM A356-T6
 - 1.2 END FITTING - ALUMINUM A356-T6
 - 1.3 ROD - FIBERGLASS
- 2.0 FINISH
 - 2.1 BASE - NONE
 - 2.2 END FITTING - NONE
 - 2.3 ROD - ULTRAVIOLET PROTECTIVE VEIL COATING, GRAY (OPTIONAL) - VULCANIZED SILICONE RUBBER, GRAY
- 3.0 DIMENSIONS IN INCHES

This information is confidential and is the property of Maclean Power Systems. It may not be made public or reproduced except that the Customer may make copies for use solely in instillation, maintenance, and operation of products supplied by Maclean Power Systems.

 MACLEAN POWER SYSTEMS A Maclean-fogg Company	
G2MAA1—"L"—AT SERIES DOUBLE PHASE TRIPLE POSITION BRACKET	
DATE: 6-19-12	SCALE: 1:1
DWN. BY: MYL	CKD. BY: WCL
APR. BY: WCL	NO. CEB-4041
R 1	SH. 1
OF 1	

ENG. REF.