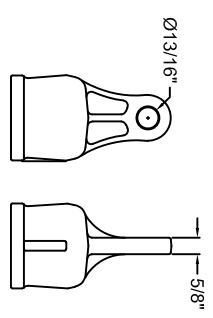
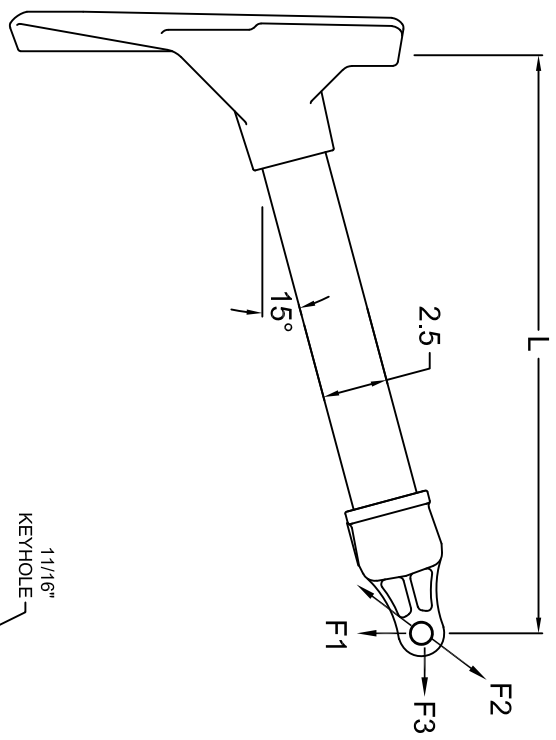
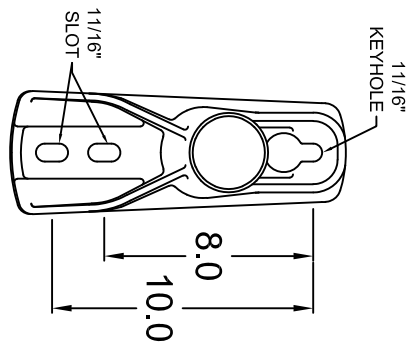


REVISIONS			
NO.	DATE	DESCRIPTION	BY
1	07/05/18	BASE MODIFIED TO HAVE KEYHOLE	MBG
2	09/20/21	REMOVED PAINT OPTION	BHB



END FITTING VIEW ->E-2.50



BASE VIEW

CATALOG NUMBER LENGTHS (IN) ULTIMATE MECHANICAL STRENGTHS (LBS)				
SILICONE RUBBER COATED SERIES	L1	VERTICAL	LONGITUDINAL	TRANSVERSE
G1XAA124DE	24	4500	3500	10000
G1XAA130DE	30	3600	2800	10000
G1XAA136DE	36	2900	2400	10000
G1XAA148DE	48	2250	1750	10000
G1XAA160DE	60	1800	1400	10000

- NOTES:
- 1.0 MATERIAL
 - 1.1 BASE - ALUMINUM, A356-T6
 - 1.2 END FITTING - DUCTILE IRON GRADE 654512
 - 1.3 ROD - FIBERGLASS
 - 2.0 FINISH
 - 2.1 BASE - NONE
 - 2.2 END FITTING - HOT DIP GALVANIZED PER ASTM-A-153
 - 2.3 ROD - VULCANIZED SILICONE RUBBER, GRAY
 - 3.0 DIMENSIONS IN INCHES

ENG. REF.

This information is confidential and is the property of Maclean Power Systems. It may not be made public or reproduced except that the customer may make copies for use solely in their maintenance, and operation of products supplied by Maclean Power Systems.

MACLEAN POWER SYSTEMS
A Maclean-Logg Company

G1XAA1-"L"-DE SERIES
SINGLE PHASE SUSPENSION EYE BRACKET

DATE 6-25-12	SCALE 1:1	NO.
DRN MVL	CHK	CEB-4067
BR.	BR.	R / 2